

Knauf alutop® Access Panels

- | | |
|------------------------------|--|
| Standard Access Panels | – REVO for Ceilings, Drywall Partitions, and Furrings |
| Fire-Resistant Access Panels | – F-TEC for Ceilings, Installation Shaft Walls and Solid Walls
– FIRE PROTECTION for Ceilings, Drywall Partitions and Shaft Walls |
| Access Door | – ACCESS DOOR for Walls and Jamb Walls |
| Special Access Panels | – AIRTIGHT and DUST-PROOF
– DISINFECTANT-RESISTANT |

New

- Knauf alutop® REVO 12.5 / 18 Variant / 25 Variant
- Knauf alutop® F-TEC Fire-Resistant Access Panels

Surfaces are being subjected to ever more stringent demands. Knauf alutop® Standard Access Panels REVO satisfy requirements of this type for cladding thickness from 12.5 mm to 25 mm – in any location where there are no building physical requirements. The flush bonded Diamant board allows for flawless surfaces with minimal effort.



Fire-Resistant - one single type for all occasions
Knauf alutop® Fire-Resistant Access Panels F-TEC
 One type of panel, universally usable for ceilings, shaft walls, or in solid walls and for cladding thickness up to 25 or 50 mm. Available for fire resistance classes F30 and F90, optionally in combination with airtightness, dust-proofness, and smoke-proofness. Installation at a later time is also easy due to the attachment fitting. The flush bonded Diamant board allows for flawless surfaces with minimal effort.



Knauf alutop® Access Panel in the system with
Knauf Free-Spanning Ceiling D131



Knauf alutop® Fire-Resistant Access Panel F-TEC F90 in the system with
Knauf Free-Spanning Fireboard Ceiling K219



Fire-Resistance - cost-effective
Knauf alutop® Access Panels FIRE PROTECTION CEILING, FIRE PROTECTION PARTITION, FIRE PROTECTION SHAFT WALL
 Particularly in large construction projects where requirements of cladding thickness, fire resistance, size, and installation locations are fixed from the beginning, Knauf offers cost-effective solutions.

Knauf alutop® ACCESS DOOR for walls and jamb walls w/o fire resistance

The Knauf alutop® Access Panels **AIRTIGHT** and **DUST-PROOF** prevents penetration of air and dust in ceilings and walls without fire-resistance requirements with a cladding thickness of up to 25 mm, even with overpressure or low pressure.

The Knauf alutop® Access Panel **DISINFECTANT-RESISTANT** is specially designed for handling air-communicable diseases which are to be treated as per quarantine laws in infection quarantine stations in hospitals where the sealing of ventilation systems in ceilings or walls (without fire resistance requirements) must be guaranteed.

Product Overview	3
REVO	4
F-TEC F30 / F-TEC F90	6
Access Panel for Free-Spanning Ceiling D131	8
F-TEC F90 for Free-Spanning Fireboard Ceiling K219	9
FIRE PROTECTION CEILING	10
FIRE PROTECTION PARTITION	11
FIRE PROTECTION SHAFT WALL	12
ACCESS DOOR	12
AIRTIGHT and DUST-PROOF / DISINFECTANT-RESISTANT	13
Access Panels for Tiling	14
Specifications	15
Order Information, Construction	18
Installation, Jointing, Surface treatment, Proofs	19
Declarations of Compliance	20

Five Types for Any Occasion

Standard access panels for ceilings, drywall partitions and furrings

REVO 12,5 for 12.5 mm	REVO 18 Variant for 15 and 18 mm	REVO 25 Variant for 20 and 25 mm
200 x 200 mm	200 x 200 mm	200 x 200 mm
300 x 300 mm	300 x 300 mm	300 x 300 mm
400 x 400 mm	400 x 400 mm	400 x 400 mm
500 x 500 mm	500 x 500 mm	500 x 500 mm
600 x 600 mm	600 x 600 mm	600 x 600 mm
600 x 1200 mm	600 x 1200 mm	600 x 1200 mm
700 x 700 mm	700 x 700 mm	700 x 700 mm
800 x 800 mm	800 x 800 mm	800 x 800 mm
900 x 900 mm	900 x 900 mm	900 x 900 mm
1000 x 1000 mm	1000 x 1000 mm	1000 x 1000 mm
1100 x 1100 mm	1100 x 1100 mm	1100 x 1100 mm
1200 x 1200 mm	1200 x 1200 mm	1200 x 1200 mm
≥ 1200 mm (multipart)	≥ 1200 mm (multipart)	≥ 1200 mm (multipart)
Any intermediate size available		



Fire-resistant access panels for ceilings, shaft walls and solid walls

F-TEC F30 for 12.5 to 25 mm	F-TEC F90 for 25 to 50 mm
300 x 300 mm	300 x 300 mm
400 x 400 mm	400 x 400 mm
500 x 500 mm	500 x 500 mm
600 x 600 mm	600 x 600 mm
700 x 700 mm	-
800 x 800 mm	-
Intermediate sizes by request	

The Complete Program

● Standard equipment ○ Optional — Not available	REVO 12.5	REVO 18 Variant	REVO 25 Variant	F-TEC F30	F-TEC F90	FIRE PROTECTION			F-TEC F90 for K219	Access Panel for D131	AIRTIGHT and DUST-PROOF	DISINFECTANT-RESISTANT	X-Ray radiation shielding
						CEILING	PARTITION	SHAFT WALL					
Face board flush bonded	●	●	●	●	●	—	—	●	●	—	●	●	●
Sealing	○	●	●	●	●	●	●	●	●	—	●	●	●
Intermediate sizes ≥ 200 ≤ 600 mm	○	○	○	○ ¹⁾	○ ¹⁾	○	○	○ ¹⁾	○ ¹⁾	○ ¹⁾	○ ¹⁾	—	○ ¹⁾
Intermediate sizes > 600 ≤ 800 mm	○	○	○	○	—	○	○	○	—	—	○	—	—
Intermediate sizes > 800 ≤ 1200 mm	○	○	○	—	—	—	—	—	—	—	—	—	—
Universally suitable for various cladding thicknesses	—	●	●	●	●	—	—	●	—	—	●	●	—
Airtight and dust-proof	—	—	—	○	○	—	—	○	○	—	●	●	—
Smoke-proof	—	—	—	—	○	—	—	○ ²⁾	○	—	—	—	—
With factory-bonded perforated board	○	—	—	—	—	—	—	—	—	—	—	—	—
Designed for on-site installation of perforated board	○	—	—	—	—	—	—	—	—	—	—	—	—
Designed for on-site tiling	○	○	○	○	○	—	○	○	—	—	○	—	○
Four-square bolt or round cylinder lock	○	○	○	○ ³⁾	○ ³⁾	○	○	○ ³⁾	○ ³⁾	—	○ ³⁾	—	—
Lock designed for profile cylinder	○	○	○	—	—	○	○	—	—	—	—	—	—

¹⁾ ≥ 300 mm

²⁾ with F90 only

³⁾ Four-square bolt not in combination with airtight, dust-proof, and smoke-proof options

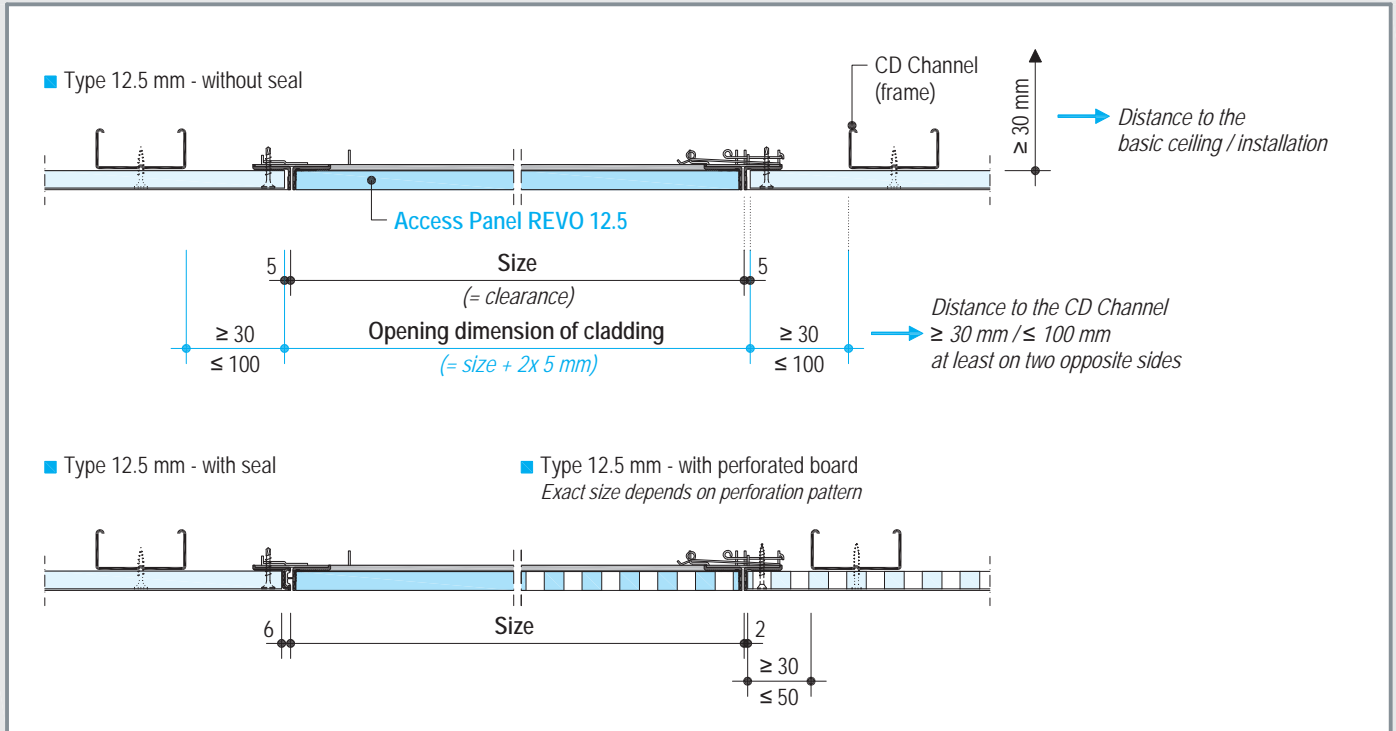
Access Panels REVO

Standard Access Panels for Ceilings, Drywall Partitions and Furrings

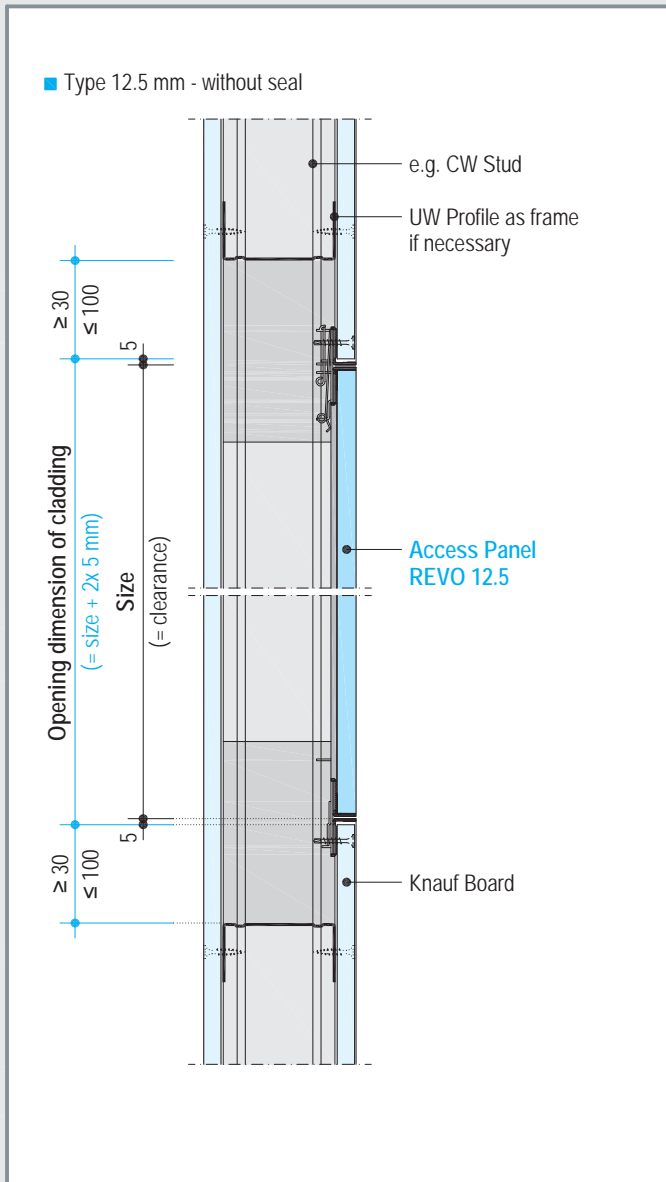


Installation in Knauf Ceiling Systems

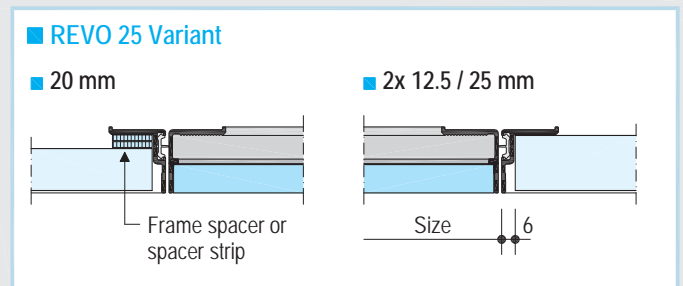
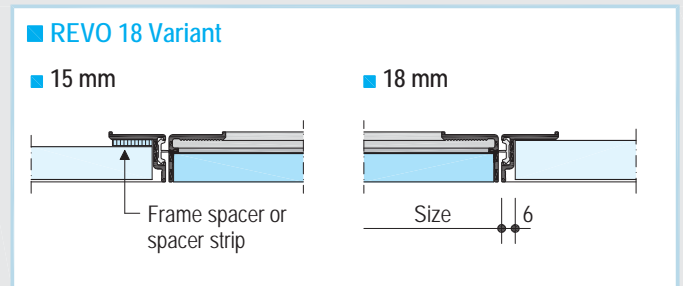
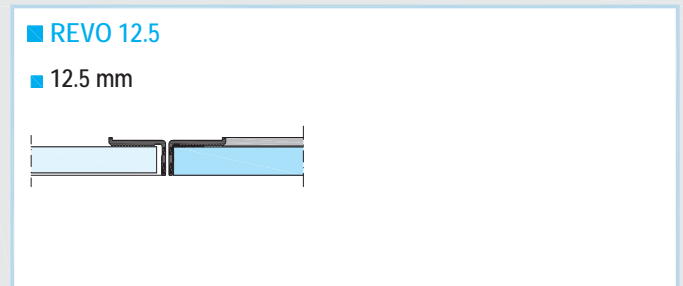
Examples - schematic drawings



Installation in Knauf Partition/Furring Systems



Possible Cladding Thicknesses



Note

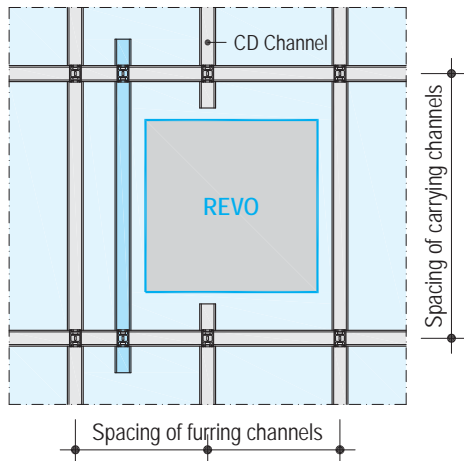
- Installation of the ceiling, partition and furring systems according to Knauf Technical Data Sheets

Installation in Knauf Ceiling Systems

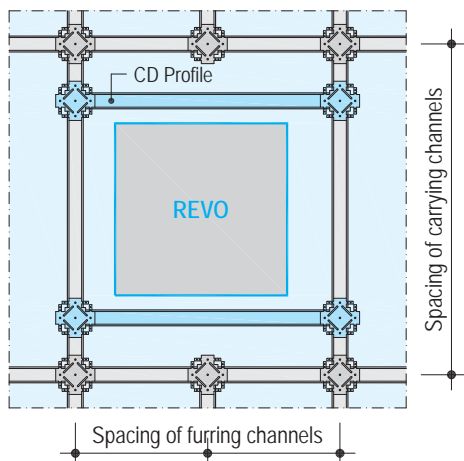
Additional substructure

If suspended channels need to be cut and replaced by an additional channel, additional suspensions are necessary

■ Double metal grid (e.g. D112)



■ Flush metal grid (e.g. D113)

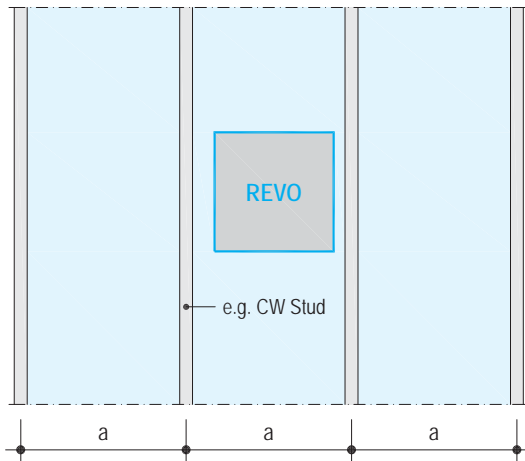


Installation in Knauf Partition/Furring Systems

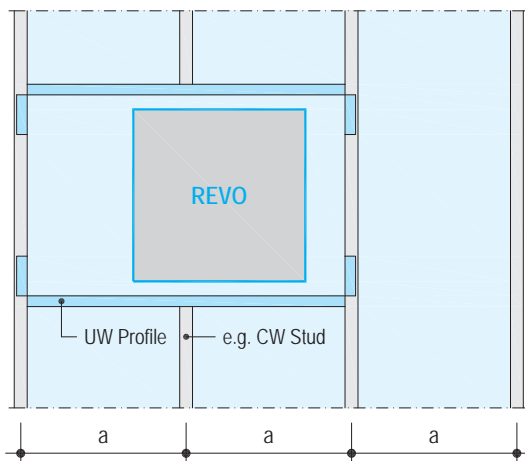
Trimming of the substructure

Depending on type and installation situation of the access panels, trimmer profiles made of UW Profiles are necessary

■ Stud spacing -a- continuous



■ Stud spacing -a- with cut stud and trimmer profiles



Cladding mm

REVO 12.5

■ 12.5

REVO 18 Variant

■ 15

■ 18

REVO 25 Variant

■ 20

■ 2x 12,5 / 25

Sizes mm

■ 200 x 200

■ 300 x 300

■ 400 x 400

■ 500 x 500

■ 600 x 600

■ 600 x 1200

■ 700 x 700

■ 800 x 800

■ 900 x 900

■ 1000 x 1000

■ 1100 x 1100

■ 1200 x 1200

(= clearance)

Additional options

Intermediate sizes

Multipart

Seal

Type "screwed" (≤ 625 mm)

Factory-bonded perforated boards (≤ 900 x 900 mm)

For on-site applic. of perforated boards (≤ 625 mm)

For on-site tiling (≤ 600 x 800 mm)

Prepared for surface quality Q4 (on-site)

Four-square bolt

Round cylinder lock

Lock pre-designed for profile cylinder

1) without seal (≤ 625 mm)

REVO 12.5

■

■

■ 1)

■

■

■

■

■

■

■

■

REVO 18 Variant REVO 25 Variant

■

■

Standard equipment

■

■

■

■

■

■

■

■



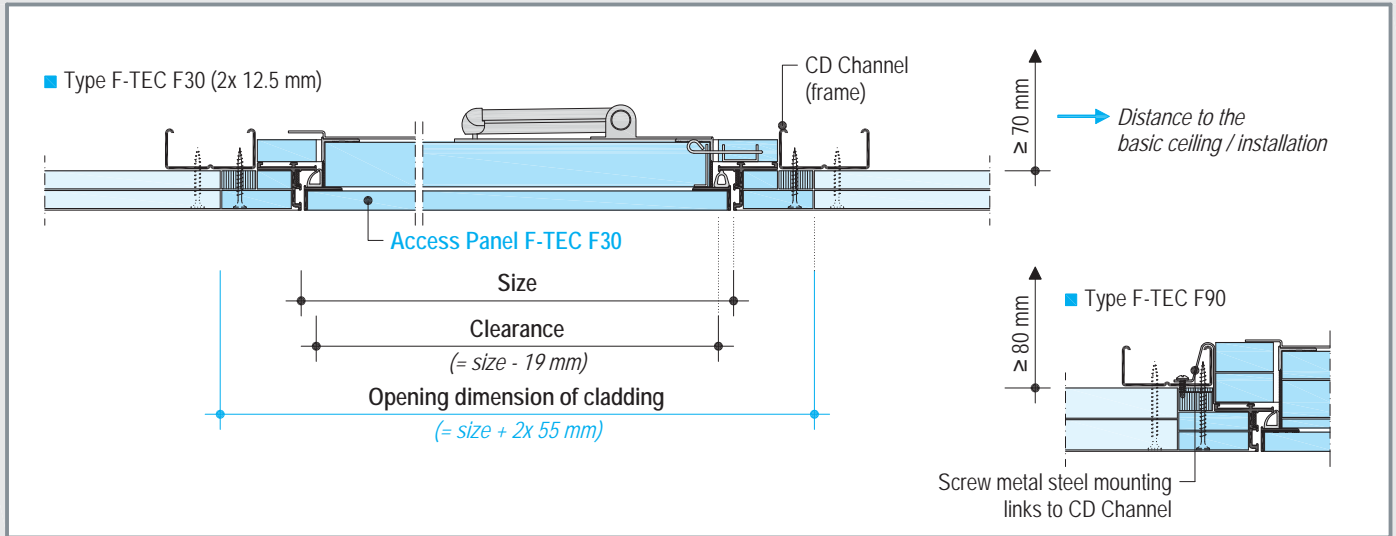
Access Panels F-TEC F30 / F-TEC F90

Fire-Resistant Access Panels for Ceilings, Shaft Walls and Solid Walls

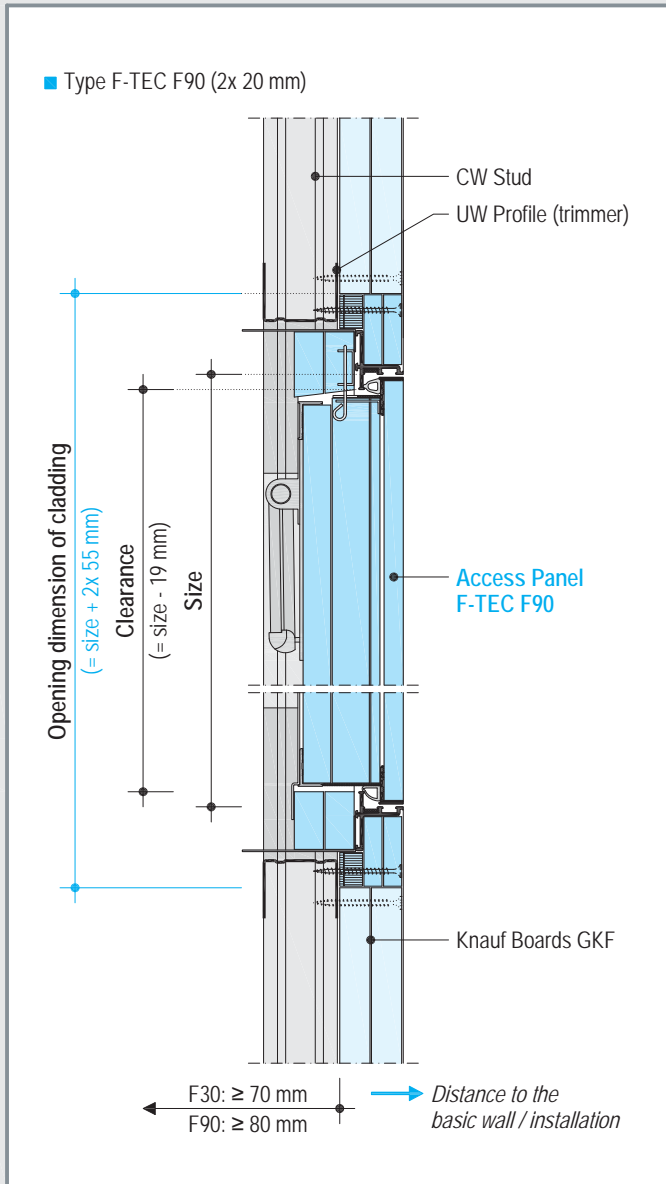


Installation in Knauf Ceiling Systems

Examples - schematic drawings

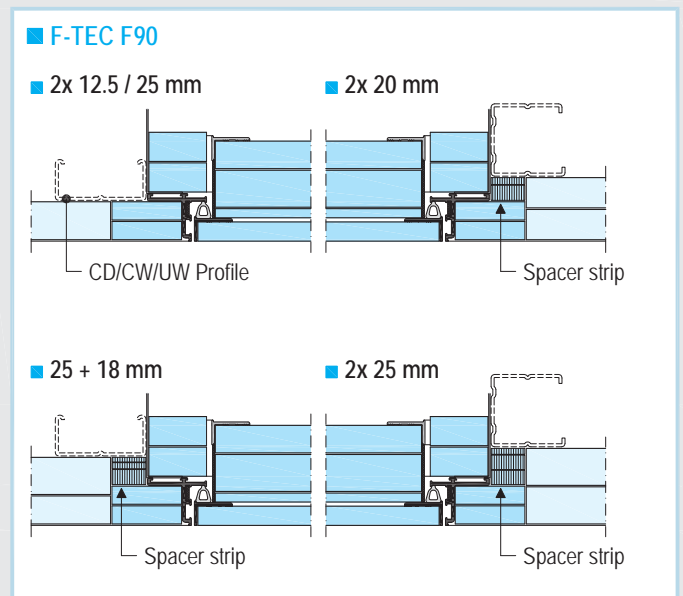
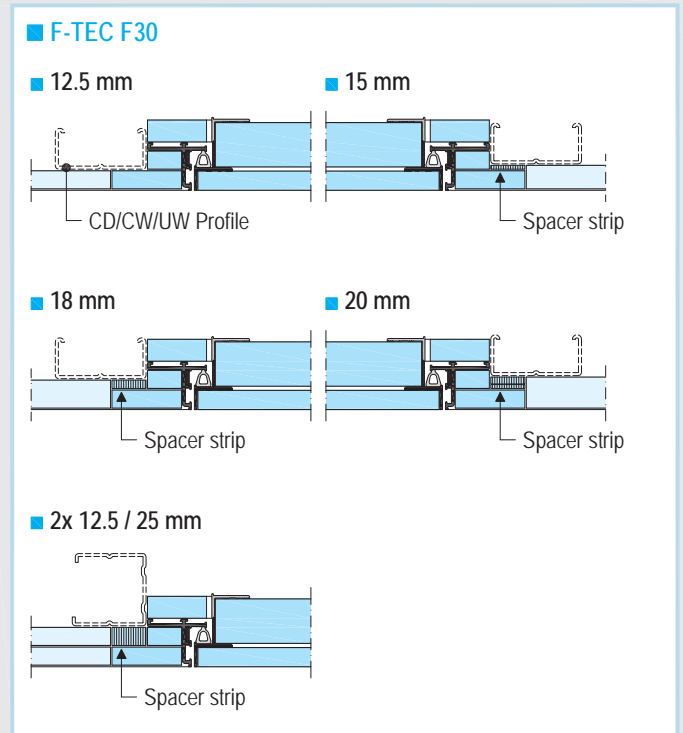


Installation in Knauf Shaft Wall Systems



■ Also suitable for solid walls

Possible Cladding Thicknesses



Note

■ Ceiling and shaft wall systems with fire resistance according to Knauf Technical Data Sheets



Access Panels F-TEC F30 / F-TEC F90

Fire-Resistant Access Panels for Ceilings, Shaft Walls and Solid Walls



Examples - schematic drawings

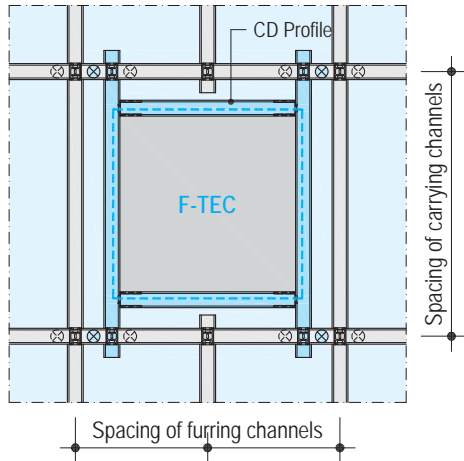
Installation in Knauf Ceiling Systems

Additional substructure

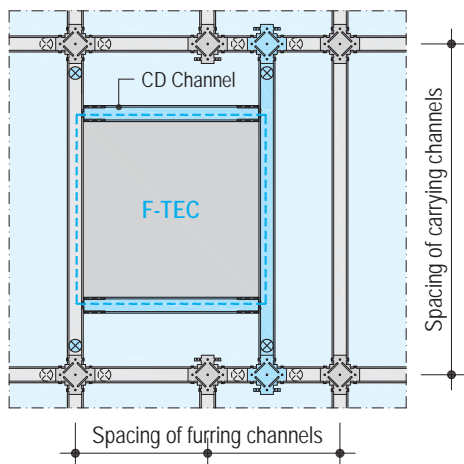
- ⊗ 4 additional suspensions
- ⊗ Alternative suspension locations

If suspended channels need to be cut and replaced by additional channels, additional suspensions are necessary

Double metal grid (e.g. D112)



Flush metal grid (e.g. D113)



Installation in Knauf Shaft Wall Systems

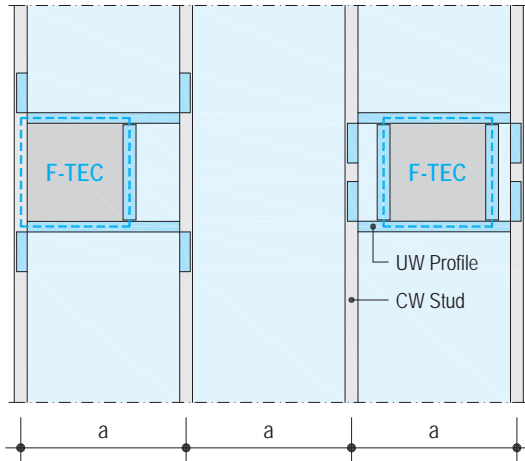
Trimming of the substructure

Depending on type and installation situation of the access panels, trimmer profiles or frames made of profiles are necessary

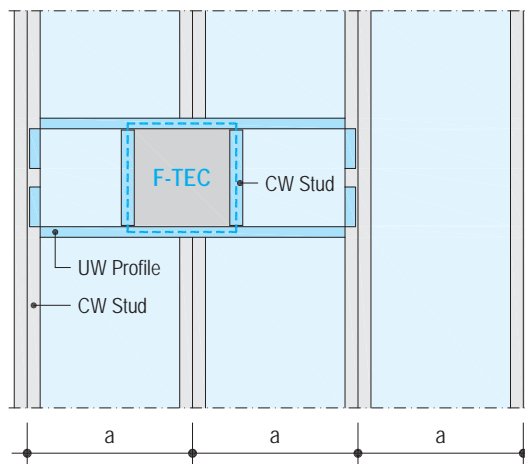
Subsequent installation in finished shaft walls is possible

If the installation of the access panel is performed at a later time, the cladding is sawed out. Apply frame made of circumferential profile pieces (UW or CW) and screw attach (spacing of screws ≤ 150 mm).

Stud spacing -a- continuous studs



Stud spacing -a- with cut stud and trimmer profiles



Cladding mm

F-TEC F30

- 12.5
- 15
- 18
- 20
- 2x 12.5 / 25

F-TEC F90

- 2x 12.5 / 25
- 2x 20
- 25 + 18
- 2x 25

Sizes mm

Sizes mm	F-TEC F30	F-TEC F90
300 x 300	■	■
400 x 400	■	■
500 x 500	■	■
600 x 600	■	■
700 x 700	■	
800 x 800	■	

(Size - 19 mm = clearance)

Additional options

Additional options	F-TEC F30	F-TEC F90
Intermediate sizes	■	■
Fireboard face	On request	■
Airtight and dust-proof ($\leq 600 \times 600$ mm)	■	■
Smoke-proof ($\leq 600 \times 600$ mm)		■
For on-site tiling	■	■
Four-square bolt	■	■
Round cylinder lock	■	■



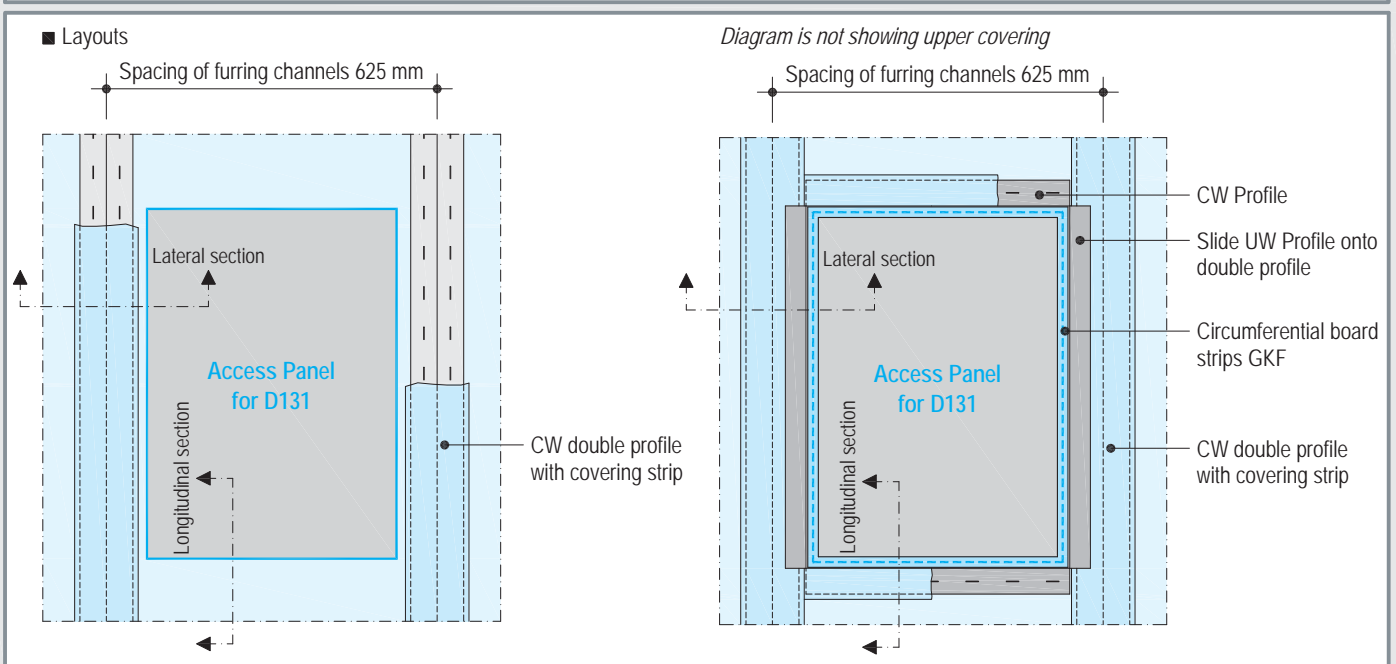
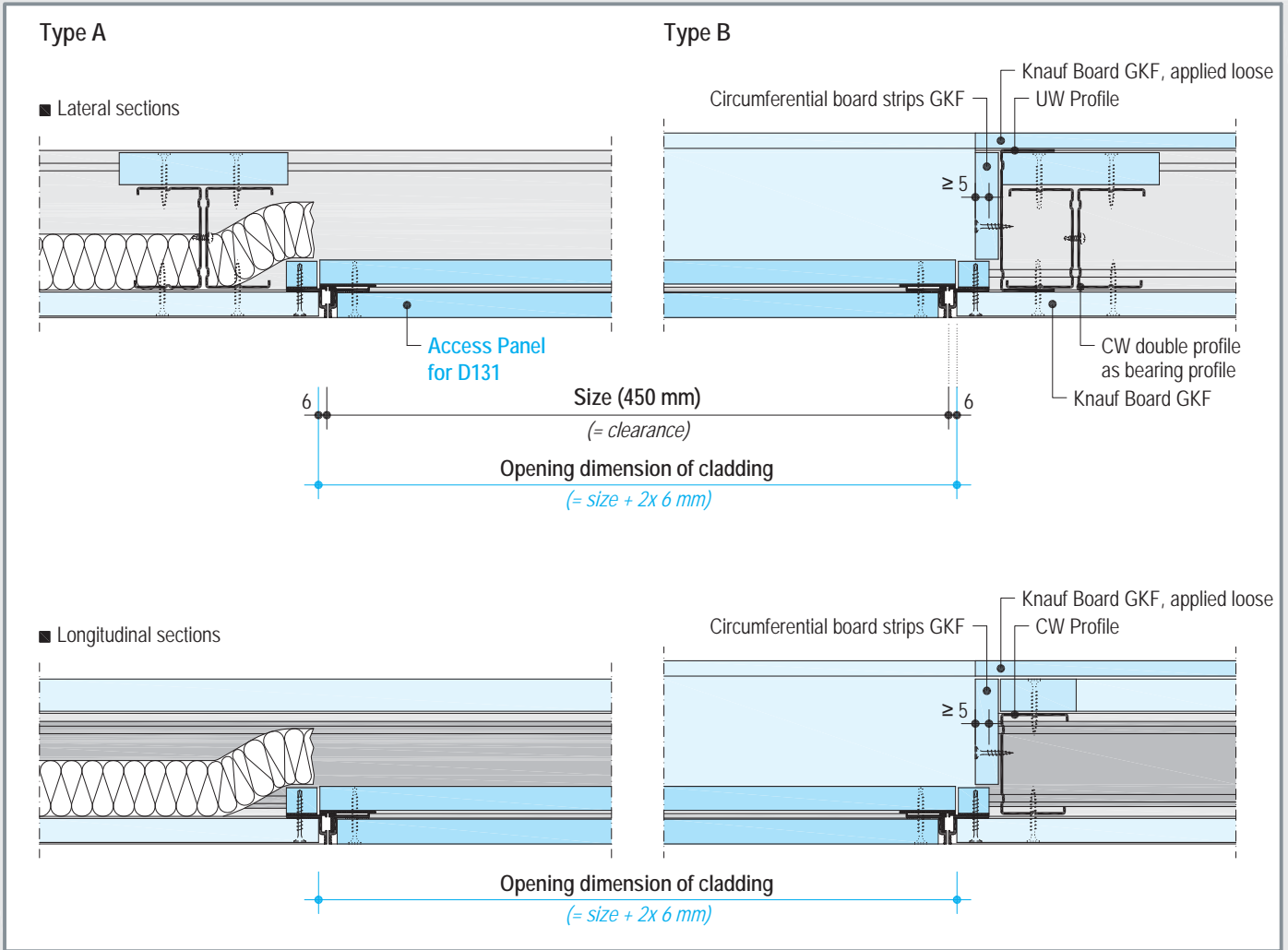
Access Panel for Free-Spanning Ceiling D131

Fire Resistance Class F30



Diagram: F30 ■ Solely from below and from above Type A + Type B

Schematic drawings



Cladding

mm

■ 18 mm

Sizes

mm

■ 450 x 450

■ 450 x 600

■ 450 x 1500

(= clearance)

Notes

■ Construction of free-spanning ceiling acc. to Knauf Technical Data Sheet D131 (consider fire protection requirements). With free-spanning ceilings without fire resistance or with fire resistance from below: Installation of access panel according to Type A.

■ Access panel can be fully dismantled.

■ Intermediate sizes available on request (max. 450 x 1500 mm)



Access Panel F-TEC for Free-Spanning Fireboard Ceiling K219

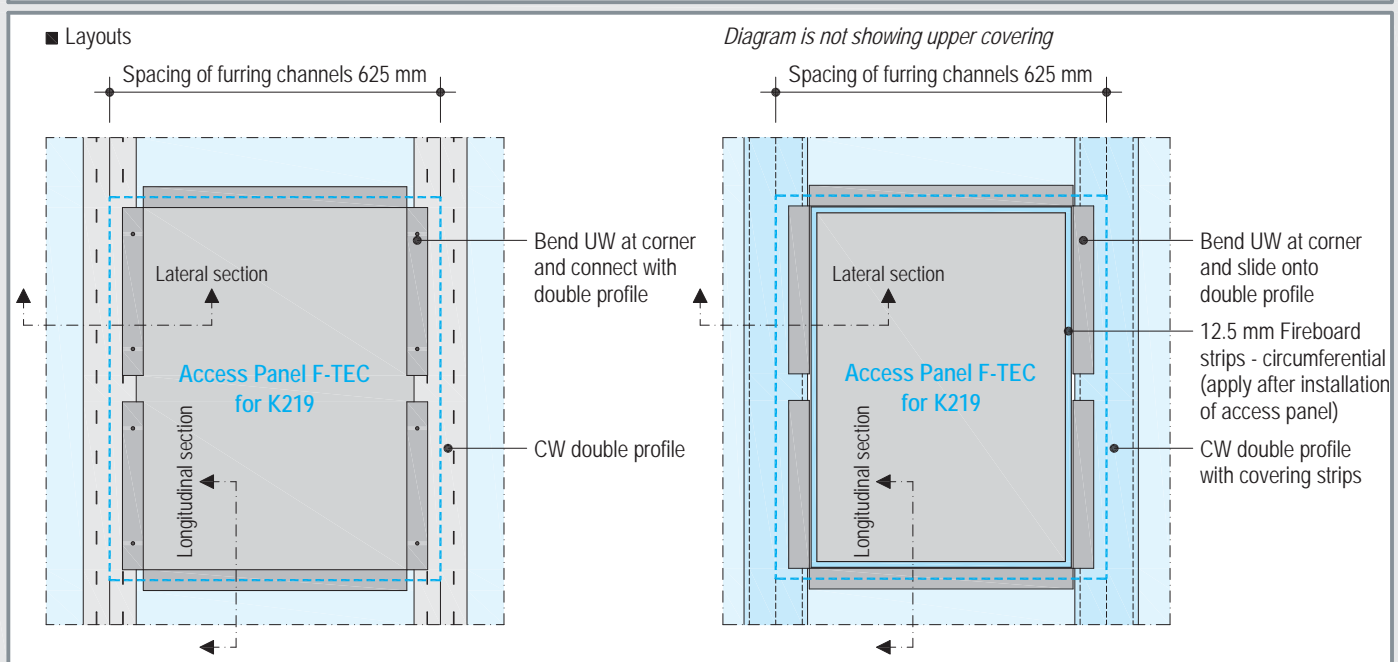
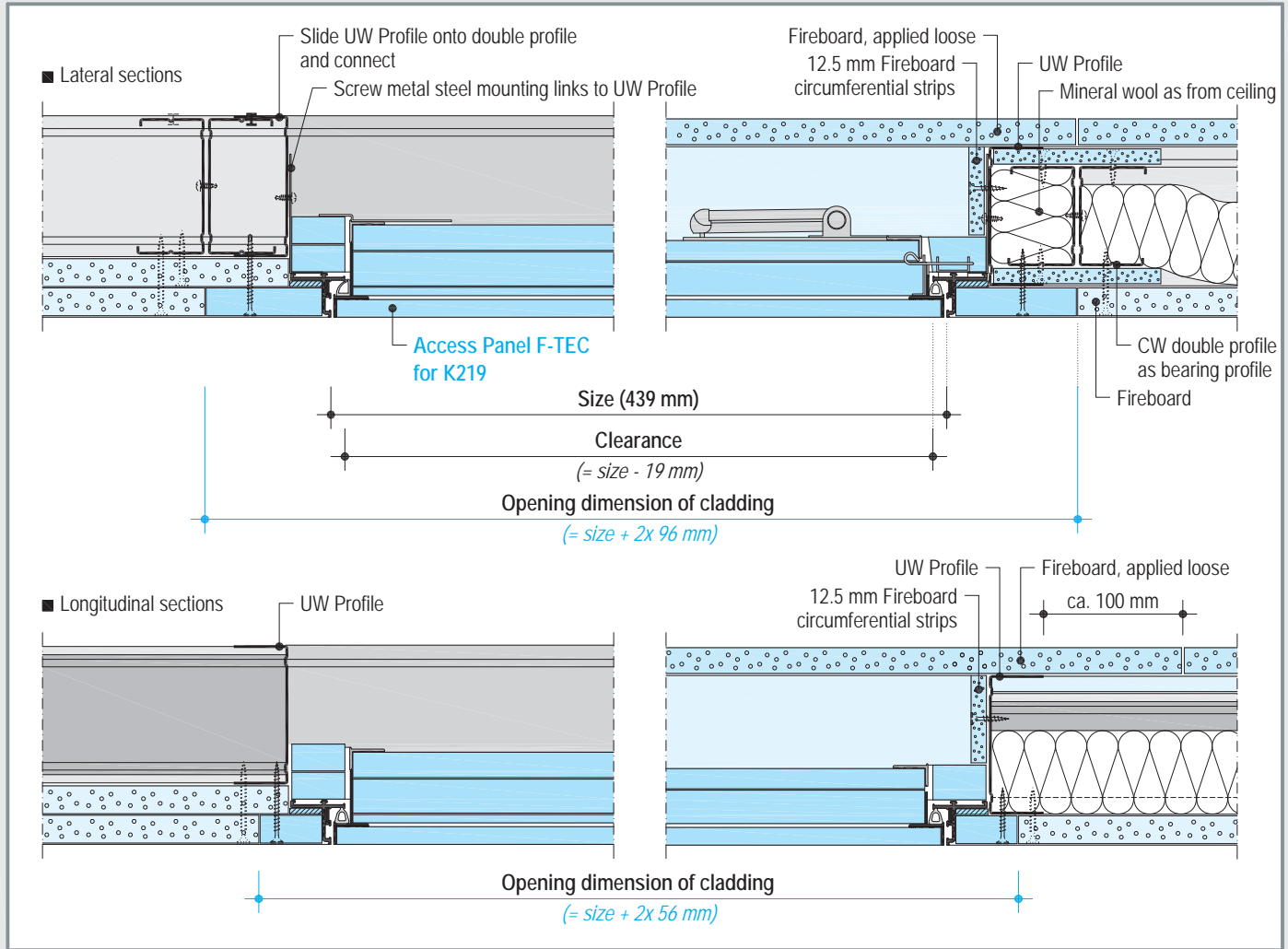
Fire Resistance Class F90



F90 ■ Solely from below

F90 ■ Solely from below and from above

Schematic drawings



Cladding

- mm
- 2x 20 mm
- 20 mm (20 + 20 mm)

Size

- mm
- 439 x 619

(Size - 19 mm = clearance)

Additional options

- Intermediate sizes ■
- Airtight and dust-proof ■
- Smoke-proof ■
- Four-square bolt ■
- Round cylinder lock ■

Note

- Construction of free-spanning ceiling acc. to Knauf Technical Data Sheet K219 (consider fire protection requirements)



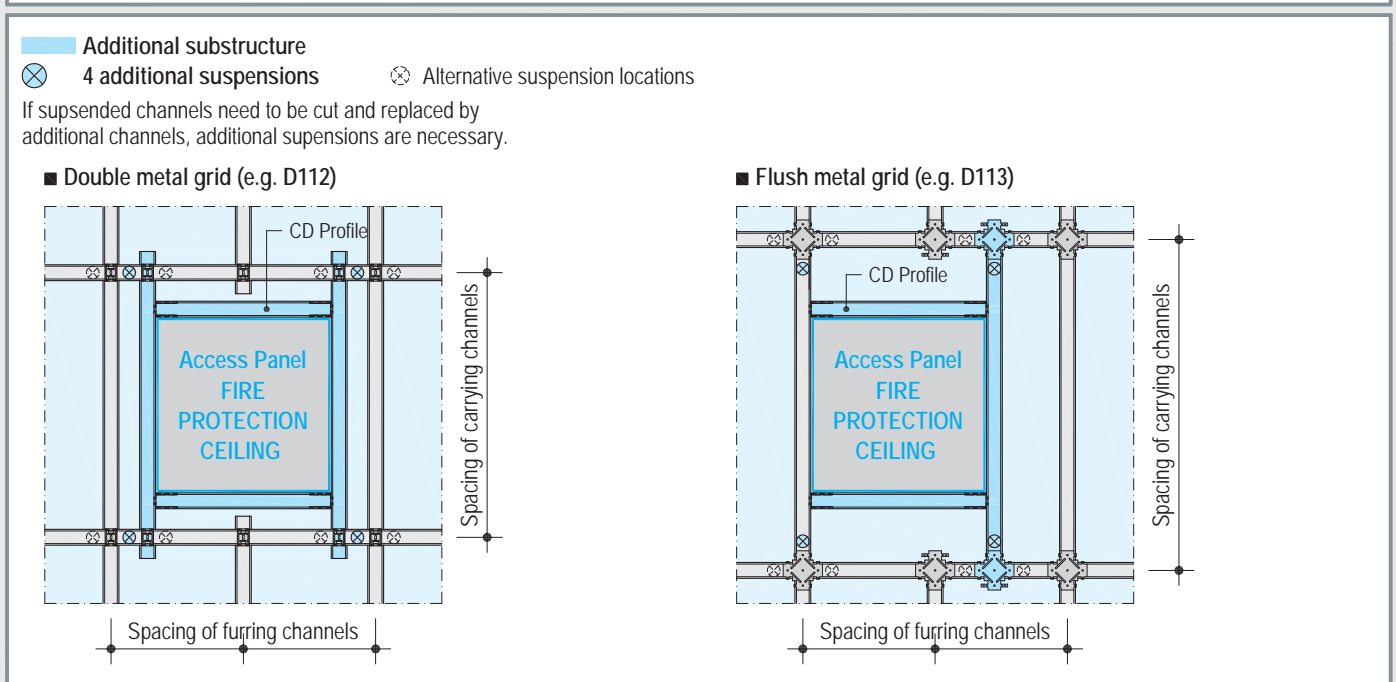
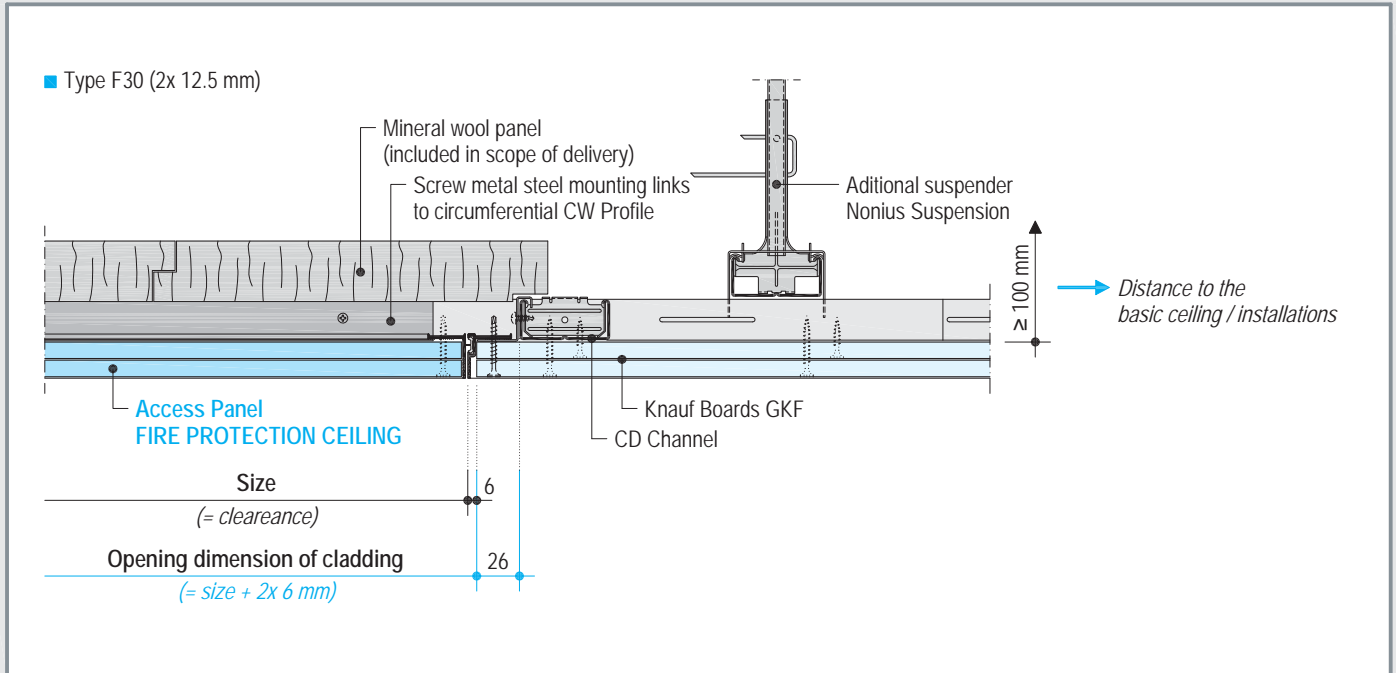
Access Panel FIRE PROTECTION CEILING

Fire Resistance Class F30 / F90



Installation in Knauf Ceiling Systems

Examples - schematic drawings



Note

■ Fire-resistant ceiling constructions according to Knauf Technical Data Sheets

Cladding mm	F30	F90
12.5	■	
2x 12.5 / 25	■	
2x 20		■

Sizes mm

- 300 x 300
- 400 x 400
- 500 x 500
- 600 x 600

(= clearance)

Additional options	F30	F90
Intermediate sizes ¹⁾	■	■
Multipart	■	■
Fireboard face		■
Four-square bolt	■	■
Round cylinder lock	■	■
Lock pre-designed for profile cylinder	■	■

¹⁾ max. size for F30: 800 x 800 mm; for F90: 600 x 600 mm



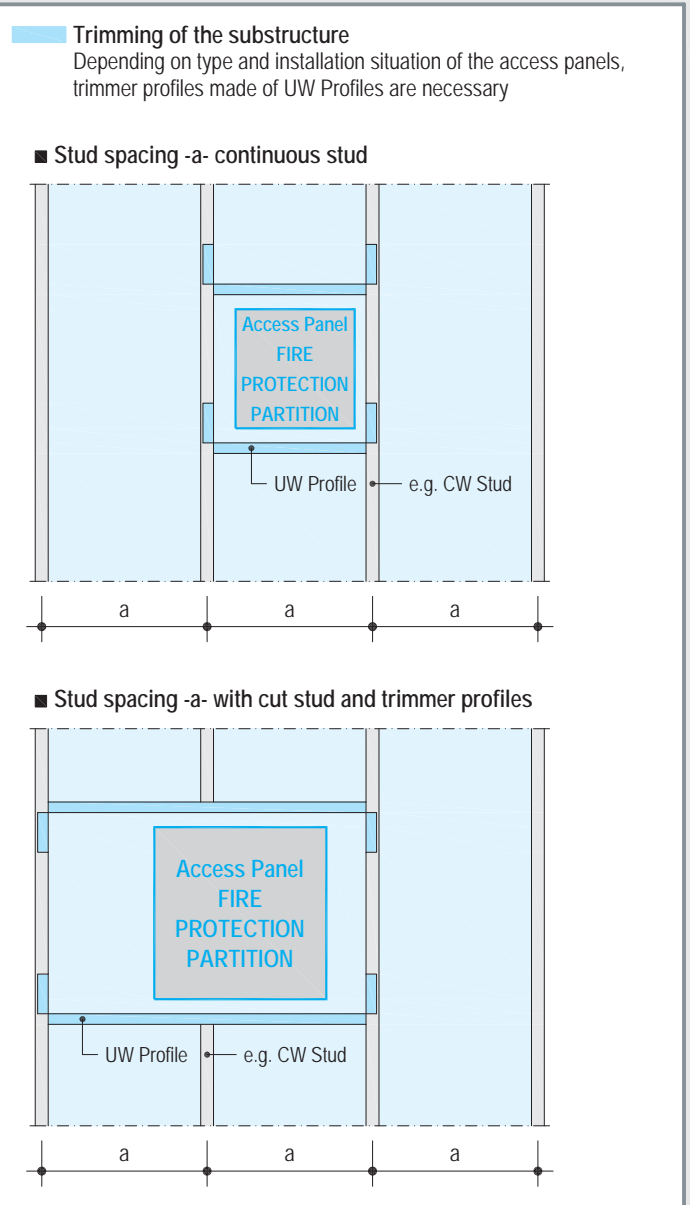
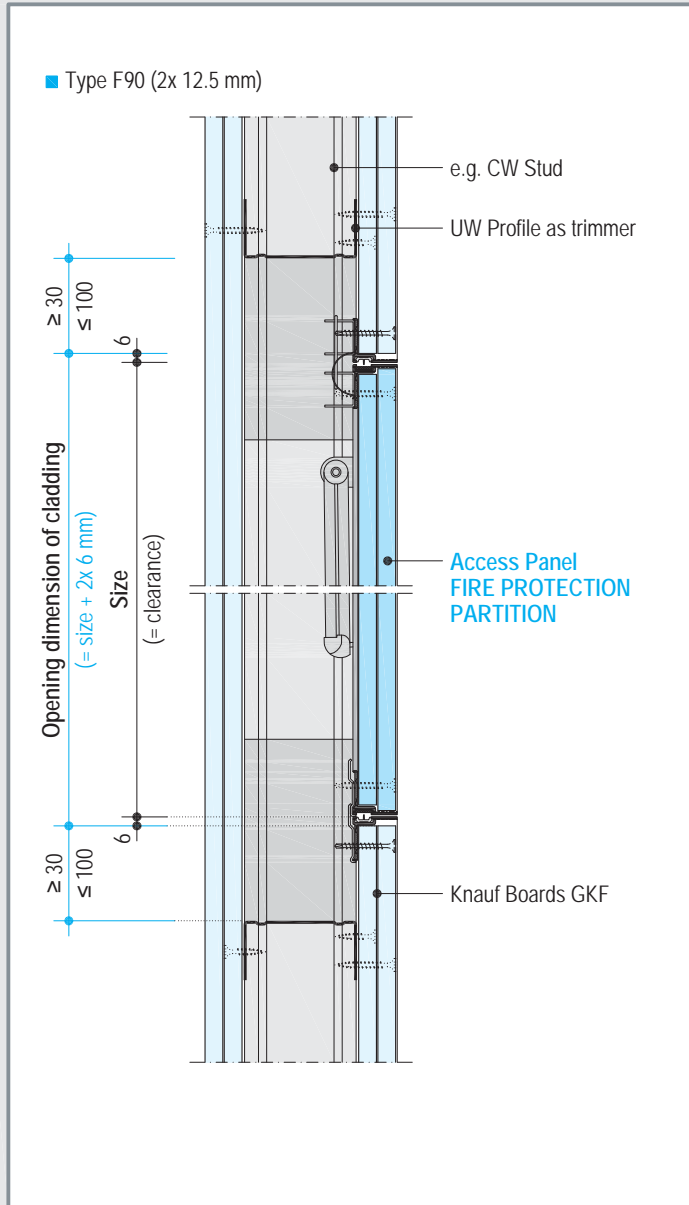
Access Panel FIRE PROTECTION PARTITION

Fire Resistance Class F30 / F90



Installation in Knauf Partition Systems

Examples - schematic drawings



Note

■ Fire-resistant partition constructions according to Knauf Technical Data Sheets

Cladding mm	F30	F90
12.5	■	
2x 12.5 / 25		■

Sizes mm

- 300 x 300
- 400 x 400
- 500 x 500
- 600 x 600

(= clearance)

Additional options	F30	F90
Intermediate sizes ¹⁾	■	■
For on-site tiling	■	■
Four-square bolt	■	■
Round cylinder lock	■	■
Lock pre-designed for profile cylinder	■	■

¹⁾ Max. tested size 510 x 810 mm

Access Panel FIRE PROTECTION SHAFT WALL / ACCESS DOOR

Access Panels for Shaft Walls Fire Resistance Class F30 / F90, Access Door for Walls and Jamb Walls



Access Panel for Shaft Walls

Installation in Knauf Installation Shaft Walls Systems F30 / F90

Examples - schematic drawings

Horizontal section

■ Type F90 (2x 25 mm)

UW Profile as trimmer

CW Profile (frame / stud)

Access Panel FIRE PROTECTION SHAFT WALL

Knauf Boards GKF

Size

Clearance
(= size - 19 mm)

Opening dimension of cladding
(= size + 2x 82 mm)

■ Circumferential profiles are required

Cladding mm	F30	F90
2x 12.5	■	
2x 20		■
25 + 18	(F60)	
2x 25		■

Sizes mm

- 464 x 464
- 464 x 964
- 964 x 464

(Size - 19 mm = clearance)

Additional options	F30	F90
Intermediate sizes ¹⁾	■	■
Fireboard face	■	■
Airtight and dust-proof	■	■
Smoke-proof		■
For on-site tiling	■	■
Four-square bolt	■	■
Round cylinder lock	■	■

1) Max. size 464 x 964 mm / 964 x 464 mm

■ Also applicable for solid walls

ACCESS DOOR Installation in Knauf Partition or Furring Systems / Jamb Walls

Horizontal section

■ Type 2x 12.5 mm

UW Profile as trimmer

e.g. CW Profile (frame / stud)

ACCESS DOOR

Knauf Boards

Size

Clearance
(= size - 19 mm)

Opening dimension of cladding
(= size + 2x 55 mm)

■ Circumferential profiles are required

Cladding mm
■ 12,5
■ 2x 12.5 / 25

Sizes mm

- 300 x 300
- 400 x 600
- 464 x 964

(Size - 19 mm = clearance)

Additional options	
Intermediate sizes	■
Four-square bolt	■
Round cylinder lock	■
Lock pre-designed for profile cylinder	■

With side hinge usable for left-hinged or right-hinged door

Note

■ Construction of shaft wall, partition or furring systems according to Knauf Technical Data Sheets.

AIRTIGHT and DUST-PROOF / DISINFECTANT-RESISTANT

Without Fire Resistance for Ceilings, Drywall Partitions and Furrings



Airtight and Dust-Proof Installation in Knauf Ceiling, Partition and Furring Systems

Examples - schematic drawings

Vertical section ceiling
 ■ Type 2x 12.5 mm

CD Channel (frame)
 Knauf Boards
 Access Panel
AIRTIGHT and DUST-PROOF

Size
 Clearance
 (= size - 19 mm)
 Opening dimension of cladding
 (= size + 2x 55 mm)

≥ 50 mm

■ *Circumferential profiles are required.*
 In case of installation in ceilings additional suspenders are required in the corners.

Cladding mm	
■ 12.5	
■ 2x 12.5 / 25	

Sizes mm	
■ 300 x 300	
■ 400 x 400	
■ 500 x 500	
■ 600 x 600	
(Size - 19 mm = clearance)	

Additional options	
Intermediate sizes	■
For on-site tiling	■
Round cylinder lock	■

DISINFECTANT-RESISTANT, airtight and dust-proof Installation in Knauf Ceiling, Partition and Furring Systems

Vertical section ceiling
 ■ Type 2x 12.5 mm

CD Channel (frame)
 Knauf Boards
 Access Panel
DISINFECTANT-RESISTANT

Size
 (= clearance)
 Opening dimension of cladding
 (= size + 2x 65 mm)

≥ 50 mm

■ *Circumferential profiles are required*
 In case of installation in ceilings additional suspenders are required in the corners.

Cladding mm	
■ 12.5	
■ 2x 12.5 / 25	

Sizes mm	
■ 400 x 400	
■ 600 x 600	
(= clearance)	

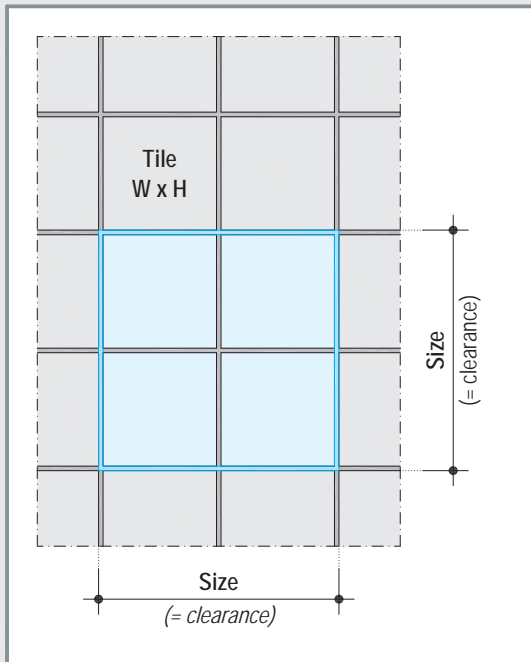
Additional options	
Intermediate sizes	Not available
Lock	Not available

Note

- Construction of ceiling, partition or furring systems according to Knauf Technical Data Sheets.

- Tested for airtightness up to 750 pascal, over-pressure or low pressure

View

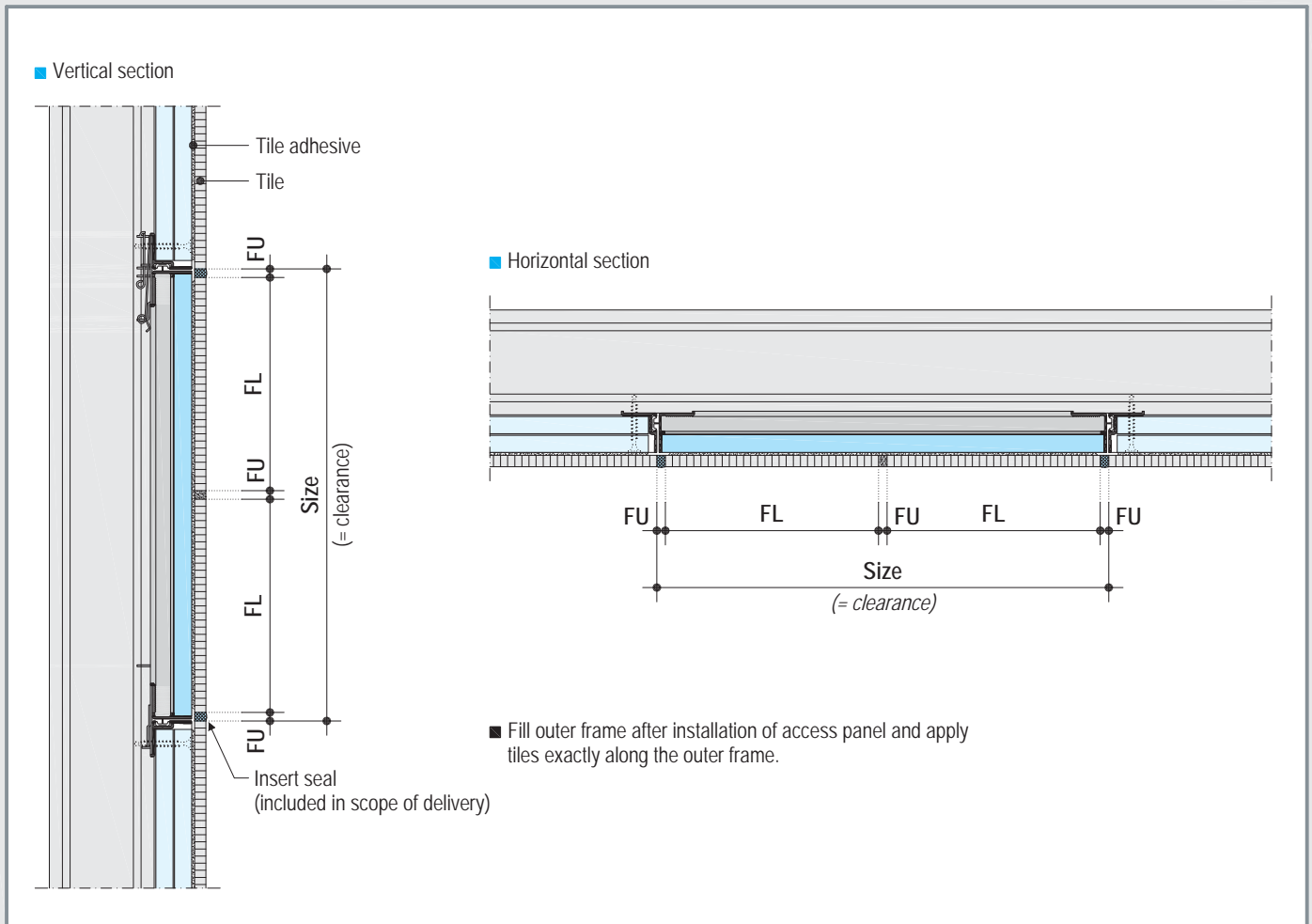


Notes

- Exact size depends on format of tiles.
The access panel is configured based on the tile pattern. Information on the dimensions of the tiles (W x H), width of joints and adhesive thickness are required.
- FL = tile format FU = width of tiling joint
- Laying of tile in thin-bed application only
- Fire resistance is optional
- Construction of ceiling, partition, shaft wall or furring systems according to Knauf Technical Data Sheets.

Sections

Example: REVO - schematic drawings



Item	Description	No. of units	Unit price	Total price
.....	<p>Standard access panel for ceiling / wall *, cladding thickness 12.5 mm</p> <p>Deliver and install access panel for suspended ceiling/ non-load bearing, room-enclosing drywall partition/ independent furring *, configured for installation in 12.5 mm thick clad constructions, as standard configuration, with flush bonded/ screwed *</p> <p>Knauf Diamant hard gypsum board (GKFI) 12.5 mm/ perforated board face *, size (clearance): x mm, securing of the hatch using self-adjusting clasping springs, with a lock- and hinge mechanism that is integrated in the frame corners and concealed. Equipped with round cylinder lock / four-square bolt / lock, designed for profile cylinders *,*. Product / system: Knauf alutop® Standard Access Panel REVO 12.5</p> pcs € €
.....	<p>Standard access panel for ceiling / wall *, cladding thickness 15/ 18 * mm</p> <p>Deliver and install access panel for suspended ceiling/ non-load bearing, room-enclosing drywall partition/ independent furring *, configured for installation in 15/ 18 * mm thick clad constructions, as standard configuration, with flush bonded Knauf Diamant hard gypsum board (GKFI) 12.5 mm, size (clearance): x mm, securing of the hatch using self-adjusting clasping springs, with a lock- and hinge mechanism that is integrated in the frame corners and concealed. Equipped with round cylinder lock / four-square bolt / lock, designed for profile cylinders *,*. Product / system: Knauf alutop® Standard Access Panel REVO 18 Variant</p> pcs € €
.....	<p>Standard access panel for ceiling / wall *, cladding thickness 20/ 25 * mm</p> <p>Deliver and install access panel for suspended ceiling/ non-load bearing, room-enclosing drywall partition/ independent furring *, configured for installation in 20/ 25 * mm clad constructions, as standard configuration, with flush bonded Knauf Diamant hard gypsum board (GKFI) 12.5 mm, size (clearance): x mm, securing of the hatch using self-adjusting clasping springs, with a lock- and hinge mechanism that is integrated in the frame corners and concealed. Equipped with round cylinder lock / four-square bolt / lock, designed for profile cylinders *,*. Product / system: Knauf alutop® Standard Access Panel REVO 25 Variant</p> pcs € €
.....	<p>Fire-resistant access panel F30 for ceiling/ shaft wall/ solid wall *</p> <p>Deliver and install access panel for suspended ceiling/ shaft wall *, configured for installation in 12.5/ 15/ 18/ 20/ 25 * mm clad constructions/ solid wall *, as fire-resistant configuration, fire resistance class DIN 4102-2: F30, with flush bonded Knauf Diamant hard gypsum board (GKFI)/ Fireboard A1 *, size (clearance + 19 mm): x mm, securing of the hatch using self-adjusting clasping springs, with a concealed lock- and hinge mechanism. Airtight and dust-proof (class 4 to 5) acc. to DIN EN 1026 + DIN EN 12211,* Equipped with round cylinder lock / four-square bolt *,*. Product / system: Knauf alutop® Fire-Resistant Access Panel F-TEC F30</p> pcs € €
.....	<p>Fire-resistant access panel F90 for ceiling/ shaft wall/ solid wall *</p> <p>Deliver and install access panel for suspended ceiling/ shaft wall *, configured for installation in 25/ 30/ 40/ 43/ 50 * mm clad constructions/ solid wall *, as fire-resistant configuration, fire resistance class DIN 4102-2: F90, with flush bonded Knauf Diamant hard gypsum board (GKFI)/ Fireboard A1 *, size (clearance + 19 mm): x mm, securing of the hatch using self-adjusting clasping springs, with a concealed lock- and hinge mechanism. Airtight and dust-proof (class 4 to 5) acc. to DIN EN 1026 + DIN EN 12211/ smoke proof following DIN 18095-2 *,* Equipped with round cylinder lock / four-square bolt *,*. Product / system: Knauf alutop® Fire-Resistant Access Panel F-TEC F90</p> pcs € €
* Cancel not applicable items			Sub-total €

Item	Description	No. of units	Unit price	Total price
.....	<p>Access panel/ Fire-resistant access panel F30 * for Knauf Free-Spanning Ceiling D131</p> <p>Deliver and install access panel for free-spanning ceiling, configured for installation in 18 mm clad constructions, as fire-resistant configuration, fire resistance class DIN 4102-2: F30,* free-spanning ceiling construction type A/ B *,* with flush screwed Knauf GKF, size (clearance): x mm, hatch configured for inlay mounting.</p> <p>Product/ system: Knauf alutop® Access Panel// Fire-Resistant Access Panel F30 * for D131</p> pcs € €
.....	<p>Fire-resistant access panel F90 for Knauf Free-Spanning Fireboard Ceiling K219</p> <p>Deliver and install access panel for free-spanning ceiling, configured for installation in 20/ 2x20 * mm clad constructions, as fire-resistant configuration, fire resistance class DIN 4102-2: F90, with flush bonded Knauf Fireboard A1, size (clearance + 19 mm): x mm, securing of the hatch using self-adjusting clasping springs, with a concealed lock- and hinge mechanism.</p> <p>Airtight and dust-proof (class 4 to 5) acc. to DIN EN 1026 + DIN EN 12211/ smoke proof following DIN 18095-2 *,*</p> <p>Equipped with round cylinder lock / four-square bolt **</p> <p>Product/ system: Knauf alutop® Fire-Resistant Access Panel F-TEC F90 for Free-Spanning Fireboard Ceiling K219</p> pcs € €
.....	<p>Fire-resistant access panel F30/ F90 * for ceiling</p> <p>Deliver and install access panel for suspended ceiling, configured for installation in 12.5/ 25/ 40 * mm clad constructions, as fire-resistant configuration, fire resistance class DIN 4102-2: F30/ F90 *, with flush bonded Knauf GKF/ Fireboard A1 *, size (clearance): x mm, securing of the hatch using self-adjusting clasping springs, with a concealed lock- and hinge mechanism.</p> <p>Equipped with round cylinder lock / four-square bolt/ lock, designed for profile cylinders *,* multipart.*</p> <p>Product/ system: Knauf alutop® Access Panel FIRE PROTECTION CEILING“ F30/ F90 *</p> pcs € €
.....	<p>Fire-resistant access panel F30/ F90 * for drywall partition</p> <p>Deliver and install access panel for non-load bearing, room-enclosing drywall partition configured for installation in 12.5/ 25 * mm clad constructions, as fire-resistant configuration, fire resistance class DIN 4102-2: F30/ F90 *, with flush screwed Knauf GKF/ Fireboard A1 *, size (clearance): x mm, securing of the hatch using self-adjusting clasping springs, with a concealed lock- and hinge mechanism.</p> <p>Equipped with round cylinder lock / four-square bolt/ lock, designed for profile cylinders *.*</p> <p>Product/ system: Knauf alutop® Access Panel FIRE PROTECTION PARTITION“ F30/ F90 *</p> pcs € €
.....	<p>Fire-resistant access panel F30 for shaft wall/ solid wall</p> <p>Deliver and install access panel for shaft wall, configured for installation in 25 mm clad constructions/ solid wall *, as fire-resistant configuration, fire resistance class DIN 4102-2: F30, with flush bonded Knauf Diamant hard gypsum board (GKFI)/ Fireboard A1 *, size (clearance + 19 mm): x mm, securing of the hatch using self-adjusting clasping springs, with a concealed lock- and hinge mechanism.</p> <p>Airtight and dust-proof (class 4 to 5) Acc. to DIN EN 1026 + DIN EN 12211,*</p> <p>Equipped with round cylinder lock / four-square bolt *.*</p> <p>Product/ system: Knauf alutop® Access Panel FIRE PROTECTION SHAFT WALL F30</p> pcs € €
<p>* Cancel not applicable items</p>				<p>Sub-total €</p>

Item	Description	No. of units	Unit price	Total price
.....	<p>Fire-resistant access panel F60/ F90 * for shaft wall/ solid wall</p> <p>Deliver and install access panel for shaft wall, configured for installation in 30/ 40/ 43/ 50 * mm clad constructions/ solid wall *, as fire-resistant configuration, fire resistance class DIN 4102-2: F60/ F90 *, with flush bonded Knauf Diamant hard gypsum board (GKFI)/ Fireboard A1 *, size (clearance+19 mm): x mm, securing of the hatch using self-adjusting clasping springs, with a concealed lock- and hinge mechanism.</p> <p>Airtight and dust-proof (class 4 to 5) Acc. to DIN EN 1026 + DIN EN 12211/ smoke proof following DIN 18095-2 *,*</p> <p>Equipped with round cylinder lock / four-square bolt *.*</p> <p>Product/ system: Knauf alutop® Access Panel FIRE PROTECTION SHAFT WALL F60/ F90 *</p> pcs € €
.....	<p>Airtight and dust-proof access panel for ceiling/ wall *, cladding thickness 12.5/ 25 * mm</p> <p>Deliver and install access panel for suspended ceiling/ non-load bearing, room-enclosing drywall partition/ furring *, configured for installation in 12.5/ 25 * mm clad constructions, as airtight and dust-proof configuration (class 4 to 5) DIN EN 1026 + DIN EN 12211, *, with flush bonded Knauf Diamant hard gypsum board (GKFI), size (clearance + 19 mm): x mm, securing of the hatch using self-adjusting clasping springs, with a concealed lock- and hinge mechanism.</p> <p>Equipped with round cylinder lock.*</p> <p>Product/ system: Knauf alutop® Access Panel AIRTIGHT and DUST-PROOF</p> pcs € €
.....	<p>Disinfectant-resistant access panel for ceiling / wall *, cladding thickness 12.5/ 25 * mm</p> <p>and install access panel for suspended ceiling/ non-load-bearing, room-enclosing drywall partition/ independent furring *, configured for installation in 12.5/ 25 * mm clad constructions, as disinfectant-resistant configuration (acc. to TRGS 522), with bonded plastic panel and anodized aluminium face plate, size (clearance): 400 x 400 / 600 x 600 * mm, securing of the hatch using self-adjusting clasping springs, with a concealed lock- and hinge mechanism.</p> <p>Product/ system: Knauf alutop® Access Panel DISINFECTANT-RESISTANT</p> pcs € €
.....	<p>Cutout section as upgrade for ceiling/drywall partition/ shaft wall *, rectangular, dimensions in mm..... .</p> pcs € €
.....	<p>Reinforce substructure at opening, CD Profile/ CW Profile/ UW Profile * DIN 18182-1, metal gauge 0.6 mm, as upgrade for ceiling lining/ceiling/drywall partition/shaft wall *, rectangular, dimensions in mm..... .</p> pcs € €
.....	<p>Upgrade for specified access panel, for round design, Securing chain for hatch, clearance dimension Ø 250 mm/ 400 mm/ in mm *.</p> pcs € €
.....	<p>Upgrade for specified access panel, configuration with face panel made of perforated boards/ slotted boards *, Perforation/ slotting * pattern..... .</p> pcs € €
.....	<p>Upgrade for specified access panel, bent for concave/ convex * design, Radius in mm</p> pcs € €
.....	<p>Upgrade for specified access panel, for design and layout as trapezoid/ segmental arch *, Dimensions in mm</p> pcs € €
.....	<p>Subsequent filling of access panel joint.</p> pcs € €
<p>* Cancel not applicable items</p>				<p>Sub-total €</p>

Order Information

Required specifications for ordering:

- Size of the installed access panel
- Mounting component (e. g. ceiling, shaft wall...)
- Cladding thickness
- Type of cladding
- Fire resistance class, if necessary

Special details/additional options

- Access panels for tiling:
Specify tile dimensions, joint width, adhesive

thickness, tile thickness and cladding thickness;

The exact clearance is determined through the tile format.

- Access panels for perforated board ceilings:
Specify perforation pattern and the color of the fleece. The exact clearance is determined through the perforation pattern.
Either on-site application of perforated board or perforated board is bonded at the factory.

- Special configurations (e.g., access panels with lead sheet lamination, splash water proof etc.) on request
- Airtight and dust-proof
- Smoke-proof
- Designed for on-site applied surface quality Q4 on request
- Multipart configuration
- Round cylinder lock, lock designed for profile cylinder or four-square bolt

Construction

Select access panels considering cladding thickness of the Knauf systems.

Knauf alutop® panels consist of a firm outer aluminum frame, and an openable and fully detachable hatch. REVO and F-TEC are equipped with flush bonded or screwed face board made of Knauf Diamant or Fireboard A1, applied either at the factory or on-site. Outer frame and hatch of the access panels are reinforced on the rear side using corner connectors. The hatch is fixed flush with the outer frame using special Knauf alutop® locks and hinge brackets. A joint width of only approx. 1.5 mm is visible between the outer frame and the hatch when fully mounted.

With rectangular ceiling access panels, the lock and hinge system is always mounted on the long side.

REVO

Standard access panels for installation in ceilings, drywall partitions and furrings without specific building physical requirements.

- REVO 12.5 for 12.5 mm cladding thickness
- REVO 18 Variant for 15 and 18 mm cladding thickness
- REVO 25 Variant for 20 and 25 mm cladding thickness

Installation with trimmer profiles, if necessary. Suitable for subsequent installation in finished walls/ceilings.

Use of round cylinder or profile cylinder locks and four-square bolting is also optional.

F-TEC

Fire-resistant access panels for universal installation in ceilings, shaft walls (single-side clad drywall partitions) and solid walls (DIN 4102-4) with fire protection requirements for fire resistance classes F30 and F90, for all common cladding thicknesses in Knauf Systems. Installation with additional substructure/trimmer profiles/frames.

Fire-resistant F-TEC access panels can also, optionally, be designed in combination with airtight, dust-proof and smoke-proof options. Suitable for subsequent installation in finished walls/ceilings. Installation of round cylinder locks and four-square bolt is also optional.

Free-Spanning Ceilings D131/K219

System D131: Free-Spanning Ceilings:

- Without fire resistance: Access panel as inlay mounting
- Fire resistance class F30, ceiling construction
Type A: Access panel as inlay mounting with fixed fire protection insulation; apply insulation layer lying on top of the ceiling along circumference of access panel outer frame.
- Fire protection class F30, ceiling construction
Type B: Access panel as inlay mounting with fixed fire protection insulation, additional installation of circumferential board strips fastened on CW/UW Profile frame

System K219: Free-Spanning Fireboard Ceilings

F90: Access panels with fixed fire protection insulation, installation with circumferential UW Profile frame; with fire protection, in case of fire resistance from above with circumferential Fireboard strips; also position upper covering of free-spanning ceiling across the opening of the access panel. Optionally, with airtight and dust-proof or smoke-proof option as well as round cylinder lock and four-square bolt.

FIRE PROTECTION CEILING

Fire-resistant access panel for ceilings with fire protection requirements F30 and F90 for cladding thicknesses 12.5, 25, and 40 mm. Installation with additional metal grid/trimmer profiles. Optionally, fire-resistant access panels with round cylinder locks, locks designed for profile cylinders or equipped with four-square bolt. A multipart design of the hatch is also permissible.

FIRE PROTECTION PARTITION

Fire-resistant access panels for drywall partitions with fire protection requirements F30 and F90, for cladding thicknesses 12.5 and 25 mm. Installation with additional metal frame/trimmer profiles. Optionally, fire-resistant access panels with round cylinder locks, locks designed for profile cylinders or equipped with four-square bolt.

FIRE PROTECTION SHAFT WALL

Fire-resistant access panels for shaft walls (drywall partitions with single-side cladding) with fire protection requirements F30, F60, and F90, for cladding thicknesses 2x12.5 mm (F30), 18+25 mm (F60), 2x20, and 2x25 mm (F90). Installation with additional metal frame/trimmer profiles. Optionally, with airtightness and dust-proofness or smoke-proofness (F90 only) as well as round cylinder lock or four-square bolt.

ACCESS DOOR

Usable for left-hinged or right-hinged installation, for cladding thickness up to 25 mm. Installation with additional metal frame/trimmer profiles.

AIRTIGHT and DUST-PROOF

Access panels for universal installation in ceilings, drywall partitions and furrings. Airtight and dust-proof according to DIN EN 1026 and DIN EN 12211 (for combination with fire resistance, see F-TEC or FIRE PROTECTION SHAFT WALL) for all common cladding thicknesses in Knauf Systems. Installation with additional metal frame/grid/trimmer profiles.

DISINFECTANT-RESISTANT

Access panels for universal installation in ceilings, walls, and furrings. Disinfectant resistance following TRGS 522, for cladding thicknesses 12.5 / 2x12.5 and 25 mm. Seals are to be replaced after one year maximum, after max. 15 gassing procedures, or after reaching a specified level of leakage. Installation with additional metal frame/grid/trimmer profiles.

Installation

General

Installation of access panels as per accompanying application instructions, installation of Knauf Systems in accordance with relevant current Knauf Technical Data Sheets. Cladding screwed to frame using Drywall Screws TB or TN (see detail pages). CAUTION: Length of screw determined by cladding. Minimum 3 pieces per frame side. Distance between screws maximum 150 mm. Predrilling only necessary with access panels FIRE PROTECTION CEILING. No board joints of the cladding are allowed near the access panel.

With wall access panels, a clearance of ≥ 40 mm (DISINFECTANT-RESISTANT: 50 mm) must be ensured in the upper third of the rear side of the hatch for opening the panel.

REVO and FIRE PROTECTION PARTITION

Cut out opening 12 mm (with REVO 12.5 without seal 10 mm) larger than the access panel size (= clearance).

If necessary, install additional trimmer profiles made of CD- or CW profiles based on the dimensions of the access panel, maintain distances between the cutout section and CD- or UW profiles of 30 mm minimum and 100 mm maximum (with walls for the trimmer profiles, with ceilings on at least two opposite sides). Additional suspenders are required for replacing suspended ceiling profiles.

Place the outer frame of the access panel in the opening, lay it on the cladding, align and screw

attach. Subsequently insert hatch and check lock for proper functioning. If the distance to the installations in the wall or ceiling is less than 200 mm, it is necessary to perform the installation of the the outer frame in the gypsum board before the cladding.

Access Panel for D131

Cut out opening 12 mm larger than the access panel size (= clearance). Place access panel in the opening, lay it on the cladding, align and screw attach. For an installation with fire protection and ceiling construction Type B, install the CW/UW Profile frame based on the size of the access panel and attach circumferential board strips GKF to CW/UW Profile frame. Subsequently insert hatch.

Fire-Resistant Access Panel for K219

The application is performed while installing the metal grid or at a later time. Make cutout section 5 mm larger than the gypsum frame of the access panel. Install UW Profile frame based on the size of the access panel. Fasten Fireboard strips along circumference of UW profile frame. Put gypsum board frame of the access panel on the profile frame, align and screw attach. Screw metal sheet mounting links to UW profile frame. Subsequently insert hatch and check lock for proper functioning.

FIRE PROTECTION CEILING

Cut out opening 12 mm larger than the access panel size (= clearance). Install trimmer profile frame made of CD Profiles based on the size of the access panel. The Universal or Flush Connectors (4 pcs.) which are required are included as part of the delivery scope. In addition, fasten 4 suspenders in the corner areas of the access panel. Insert outer frame of the access panel in the opening, place on the cladding, install mounting brackets, align and screw attach. subsequently apply mineral wool board (incl. in scope of delivery), insert hatch and check lock for proper functioning.

Access panels F-TEC, FIRE PROTECTION SHAFT WALL, AIRTIGHT and DUST-PROOF, and DISINFECTANT-RESISTANT

Application can either be performed while installing the metal grid or at a later time. Cut out opening 5 mm larger than the gypsum frame of the access panel. Install trimmer profile frame made of CD or CW/UW Profiles according to the size of the access panel. In case of installation in ceilings, also attach 4 additional suspenders in the corner areas of the access panel. Lay gypsum board frames of the access panel on the trimmer profiles, align and screw attach. With F-TEC F90 in ceiling, screw metal sheet mounting links to CD Profile trimmer frame. Subsequently insert hatch and check lock for proper functioning.

Jointing

Fill outer frame of access panel and the ceiling-/ wall surface with Uniflott or Fireboard Filler.

Recommended: With access panels F-TEC, FIRE PROTECTION SHAFT WALL, AIRTIGHT and DUST-PROOF, as well as DISINFECTANT-RESISTANT fill joint between ceiling/wall surface and gypsum board frame with Knauf Joint Tape KURT, or with Fireboard using Glass Fiber Joint Tape.

It is not necessary to fill or skim the joint between hatch frame and hatch face when using flush bonded gypsum boards (REVO/F-TEC) up to Q2; otherwise skim coat panel on the entire surface with Uniflott; use Fireboard Filler if using fire-resistant access panels with Fireboard face.

For surface quality level Q3 with REVO/F-TEC: Scrape skim hatch face.

Configuration for quality level Q4 on request. After filling, thoroughly clean outer frame, hatch, and particularly seal.

Surface Treatment

Surface treatment of the access panels with gypsum board face following Knauf Technical Data Sheet for the respective system. For tile covering observe instructions on page 14.

Note to the painter

Generally remove the access panel hatch before coating and paint separately so that no paint penetrates the narrow joint between the hatch and the outer frame. Thoroughly clean outer frame, hatch, and particularly the seal.

Proofs

Fire resistance (ABP)

- Suspended ceilings:
 - P 3400/4965 (F30/F90 solely)
 - P-3935/4719 (F30/F90 with basic ceiling)
- Free-Spanning Ceiling K219:
 - P-3085/3824
 - (F90 from below and from above)
 - P-3935/4719 (F90 from below)
- Free-Spanning Ceiling D131:
 - P-3964/2172 (F30)

- Drywall partitions W11:
 - P-3310/563/07 (F30/F90)
- Installation shaft walls:
 - W628: P-3077/0679 (F30)
 - P-3078/0689 (F90)
 - W629: P-3079/0699 (F30/F90)
 - W630: P-3969/2222 (F30/F90)
- Solid walls: P-3295/2366

Disinfectant resistance

TÜV report BB-NEG2-LEI/RIF Nr. 552397/001

Airtightness and dust-proofness acc. to DIN EN 1026:200-09 + DIN EN 12211:2000-12 Test report 104 24358

Smoke proofness following DIN EN 18095-2:1991-03 Test report 281 24570

A declaration of compliance specified for your project is available from Knauf Direct Technical Advisory Service.

Declaration of compliance by the installer of the building component

Installer:
(name, address)

Site / building:

Date of installation:

Building Component /
requirements:

It is certified herewith that the Knauf Access alutop® Panel(s) as stated above has/have been built and installed in accordance with

Knauf Technical Data Sheet TRO50 Knauf alutop® Access Panels, edition 2008-02

with the system components specified there, and has/have therefore been built regarding the declaration of compliance by the system manufacturer below in accordance with the valid building supervisory proofs concerning statics, sound insulation and fire protection.

Place, date

Stamp and signature

Declaration of compliance by the system manufacturer

Knauf Gips KG
Am Bahnhof 7
97346 Iphofen, Germany

It is certified herewith that the construction variants, application details and specified products included in Knauf Technical Data Sheet TRO50 Knauf alutop® Access Panels, edition 2008-02 are fully in accordance with the specified valid building supervisory proofs respectively.

As far as specified for the respective system / detail, this applies particularly to

- the fire resistance acc. to ABP P-3400/4965-MPABS, ABP P-3935/4719-MPABS, ABP P-3964/2172-MPABS, ABP P-3085/3824-MPABS, ABP P-3310/563/07-MPA BS, ABP P-3077/0679-MPA BS, ABP P-3078/0689-MPA BS, ABP P-3079/0699-MPA BS, ABP P-3969/2222-MPA BS, ABP P-3295/2366-MPA BS

To fulfill the building supervisory requirements specified above in the installation of Knauf ceiling systems, building and application have to be done according to the valid edition of Knauf Technical Data Sheet TRO50 with system components specified there. This has to be certified by the installer of the component with the declaration of compliance (see above) towards the contractor.

Iphofen, February 2008

Prof. Dr. Hummel

Dr. Ruf

Knauf Direct
Technical Advisory Service:

- ▶ Phone.: +49 9001 31-1000 *
- ▶ Fax: +49 1805 31-4000 **

▶ www.knauf.de

Knauf Drywall and Floor Systems Am Bahnhof 7, 97346 Iphofen, Germany

- * A rate of 0.39 € per minute will be charged for calls from within the German landline network. Callers whose phone numbers are not registered in the address database of Knauf Gips KG, i.e. private builders or non-patrons, will be charged a rate of 1.69 € per minute. Calls from mobile phones will be charged 1.48 € per minute.
- ** 0,14 €/Min.

All technical changes reserved. Only the current printed instructions are valid. Our warranty is expressly limited to our products in flawless condition. All application quantities and delivery amounts are based on empirical data that are not easily transferable to other deviating areas. The stated information represents current state-of-the-art Knauf technology. The entire state of approved engineering rules, appropriate standards, guidelines, and rules of craftsmanship are not included herewith. These and all application instructions have to be adhered to separately by the installer. All rights reserved. All amendments, reprints and photocopies, including those of excerpts, require the express permission of Knauf Gips KG, Am Bahnhof 7, 97346 Iphofen, Germany. Delivery via professional building material distributors only, in accordance with our current business, delivery and payment terms.