



Metal Profiles and Accessories | 10/2009

# Knauf | Metal Profiles and Accessories

**New:**

Precision-engineered metal profiles and accessories for complete drywall systems

**KNAUF**  
Drywall Systems

# Index

Knauf World Wide	2
Knauf Egypt	3
Knauf Certificate	4
Knauf Metal Profiles	5
Knauf Metal Profiles Raw Material Specification	6
Knauf Metal Sections and Their Application Areas	7
10 facts about Knauf CW+ Studs and CD Channels	9
How to Identify a Knauf Metal Section On-Site	10
Knauf Metal Accessories	11
Accessories	12
Knauf CW Studs	14
Knauf UW Tracks	15
Knauf CD Channels	16
Knauf UD Channel	17
Knauf Hat Furring Channel	18
Knauf Angle Section	19
Notes	20



# Knauf World Wide

## What We Are About

Knauf is a synonym for gypsum among construction experts around the globe. This association of a building material with a manufacturer's name is not just coincidence, it is the result of decades of hard work resulting in consistently high quality.

Our group of companies had comparatively humble beginnings. The family company was established in 1932, when brothers Alfons and Karl Knauf secured the mining rights to gypsum deposits in the Schengen community (Obermosel) in Germany .

Knauf currently supplies modern insulation materials, drylining systems, plasters and accessories, thermal insulation composite systems, paints, floor screed, floor systems, and construction equipment and tools through 150 production facilities and sales organizations in over 60 countries.

With 26,000 employees worldwide, and sales of 6.27 billion Euro (in 2013), Knauf Group stands head and shoulders above the crowd – in Europe, the USA, South America, Russia, Asia, Africa, and Australia.

Courage, determination, and business savvy were the reasons that only a year later Knauf was able to establish its first gypsum factory in Perl (Moselle) – laying the foundation for what would later be the Knauf Group



## Knauf Egypt

Knauf Egypt was formed in 1998 as a representative office at a time when the building industry was facing a huge surge. A rapidly growing population had to be met with housing, commercial and educational facilities, medical centres and hospitals. Traditional construction methods had become slow, labour intensive and impractical in many instances. It was time to look towards the future of construction.

Working first with distribution, supported by technical assistance for the distributors, consultants and contractors who used the products, Knauf Egypt grew quickly. The company became known not just as a supplier of high quality German products, but also as a solution provider, with the knowledge and expertise to guide its customers.

2003 saw the formation of Knauf Egypt as a limited liability company with a ready and expanding market for specialized dry wall construction products. Warehouse facilities formed a key element in the success of having a ready product supply. In 2010, with an investment budget of 40 million Euros, Knauf Egypt established a state-of-the-art facility for the production of gypsum board, plaster products and metal profiles to supply not only the local needs, but also by May 2015 to start exporting to neighboring countries of Jordan and Syria. This has further been boosted by exports and provision of assistance to Ethiopia, Kenya, Uganda, Sudan, Tanzania, and Madagascar.

### Egypt Production Plan

Keeping abreast of steadily increasing demand for high quality products, systems and building solutions, Knauf Egypt has its eye firmly on future expansion. Knauf Egypt maintains its mission to supply the local market with Egyptian products manufactured according to European standards, with competitive pricing. Already a leading supplier in dry-wall systems, Knauf Egypt is on track to further expand its reach and market share within the industry.

In view of the excellent quality there is an exceedingly high demand for the product, resulting in the plant expanding its production to double to cover the requirements.

Local manpower employed by Knauf benefits from excellent vocational training, and are not only conversant with existing products, but are ready to embrace new innovations as they arrive.

OHSAS 18001 = 2007

# Certificate of Registration

This is to certify that compliance of Occupational Health & Safety Management System of

**KNAUF LTD & PARTNER EGYPT**

Ataqa Industrial Zone, Suez, Egypt.

has been assessed and found to conform the requirements of

## OHSAS 18001 : 2007

For the scope of activities :

**Production of Different types of Gypsum Board, Plasters and Metal Profiles for Dry Wall System**

Certificate No. : RO20/JA/IC/1616  
JAS-ANZ Accreditation No : M4430310IC  
Surveillance Audit : 2nd Year : 23.10.2016

Issue Date : 14.11.2015  
Certificate Valid Upto : 13.11.2018  
Surveillance Audit : 2nd Year : 23.10.2017



Regional Office Egypt

*[Signature]*  
Head of Certification

The Validity of this Certificate can be verified from [www.questcertification.com](http://www.questcertification.com)

The Registration does not assure the quality of yields under the firm's production / Services

**Quest Certification (P) Ltd**

Regd Office: Plot No:44, Door No:6, 4th Cross Street, NGO Colony, Adambakkam, Chennai -88, Tamil Nadu, India  
Accredited by Joint Accreditation System of Australia and New Zealand ([www.jas-anz.org/register](http://www.jas-anz.org/register))

ISO 9001 = 2008

# Certificate of Registration

This is to certify that compliance of Quality Management System of

**KNAUF LTD & PARTNER EGYPT**

Ataqa Industrial Zone, Suez, Egypt.

Has been assessed and found to conform the requirements of

## ISO 9001 : 2008

for the scope of activities :

**Production of Different types of Gypsum Board, Plasters and Metal Profiles for Dry Wall System**

Permissible Exclusions: 7.3 Design and Development, 7.5.2 Validation of Processes for Production and Service Provision, 7.5.4 Customer Property

Certificate No. : RQ20/JA/1616  
JAS-ANZ Accreditation No : M4430310IC

Issue Date : 14.11.2015  
Certificate Valid Upto : 13.11.2018

Surveillance Audit : 2nd Year : 23.10.2016

Surveillance Audit :3rd Year : 23.10.2017



Regional Office Egypt

*[Signature]*  
Head of Certification

The Validity of this Certificate can be verified from [www.questcertification.com](http://www.questcertification.com)

The Registration does not assure the quality of yields under the firm's production / Services

**Quest Certification (P) Ltd**

Regd Office: Plot No:44, Door No:6, 4th Cross Street, NGO Colony, Adambakkam, Chennai -88, Tamil Nadu, India  
Accredited by Joint Accreditation System of Australia and New Zealand ([www.jas-anz.org/register](http://www.jas-anz.org/register))

ISO 14001 = 2004

# Certificate of Registration

This is to certify that compliance of Environmental Management System of

**KNAUF LTD & PARTNER EGYPT**

Ataqa Industrial Zone, Suez, Egypt.

Has been assessed and found to conform the requirements of

## ISO 14001 : 2004

for the scope of activities :

**Production of Different types of Gypsum Board, Plasters and Metal Profiles for Dry Wall System**

Certificate No. : RE20/JA/IC/1616  
JAS-ANZ Accreditation No : M4430310IC  
Surveillance Audit : 2nd Year 23.10.2016

Certificate Date : 14.11.2015  
Certificate Valid Upto : 13.11.2018  
Surveillance Audit : 3rd Year 23.10.2017



Regional Office Egypt

*[Signature]*  
Head of Certification

The Validity of this Certificate can be verified from [www.questcertification.com](http://www.questcertification.com)

The Registration does not assure the quality of yields under the firm's production / Services

**Quest Certification (P) Ltd**



## Knauf Metal Profiles

Knauf metal profiles are precision-engineered, high-quality steel sections that are used to form the metal substructure of the Knauf Drywall Systems. All metal sections produced from high-grade hot dip galvanized steel coils with the cold-rolled forming process in Knauf Egypt factory located in Ataqah, Suez.

The main design criteria's for Knauf metal sections are:

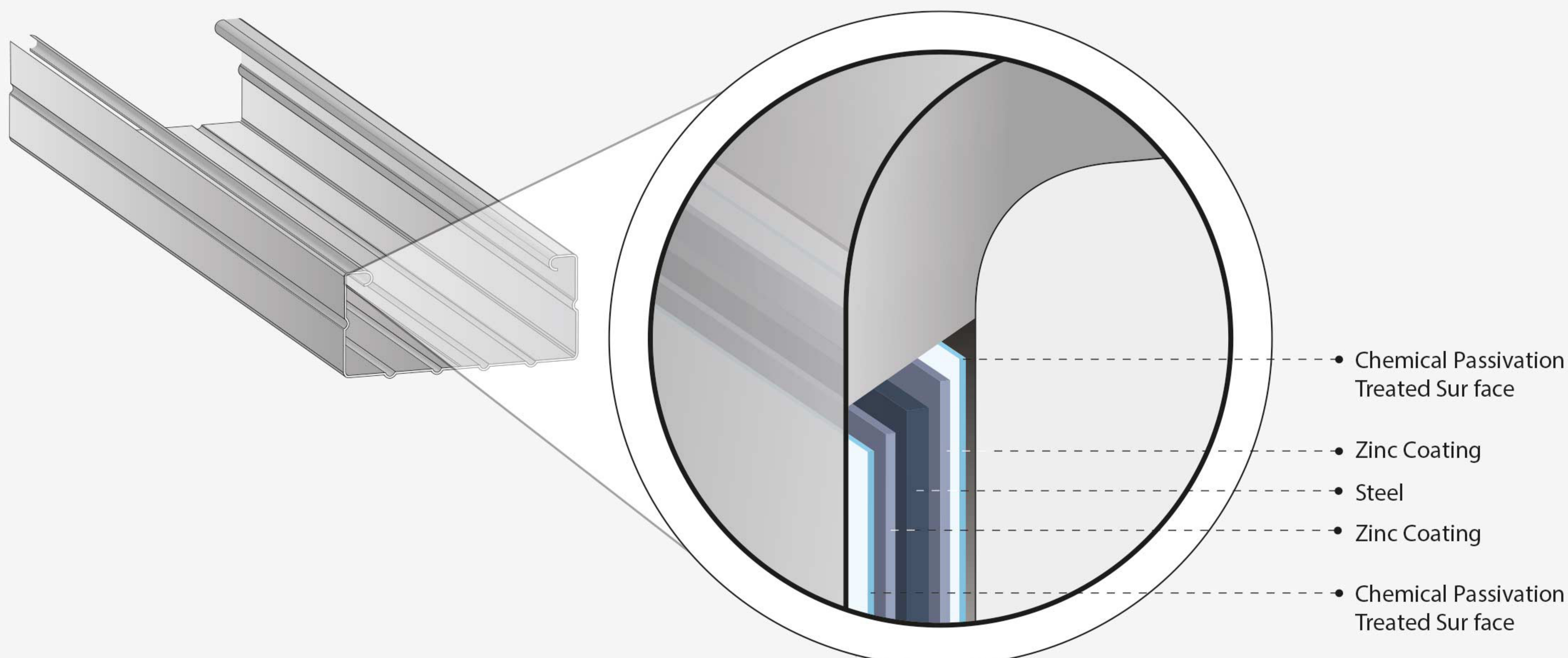
- **Quality:** Knauf only works with ISO 9001 certified raw material suppliers to guarantee its steel quality. High grade hot dip galvanized zinc coating (min. Z100 class) provides maximum protection against corrosion.
- **Rigidity:** Knauf profiles produced from sturdy 0.5 and 0.6 mm thick galvanized steel can meet the statical requirement of the most demanding projects.
- **Simplicity:** Minimum amount of accessories and 'twist to fit' studs and channels are designed to make the installer's job as simple as possible.
- **Compatibility:** Knauf metal sections are specially designed to work and perform together with Knauf gypsum boards and accessories to create complete, tested and certified systems.
- **Variety:** A wide range of sizes and options allows designers to find solutions that exactly match their requirements.

# Knauf Metal Profiles Raw Material Specification

Steel	Quality Classification	:	DX51D+Z140 as per EN 103 27: 2004
	Yield Strength	:	2 95 Mpa
	Tensile Strength	:	345Mpa
	Elongation in 80mm	:	2 5%
	Hardness (HRB)	:	64
Protection	Method	:	Hot Dip Galvanization
	Quality	:	98% Zinc (Zn)
	Coating Classification	:	Z100 as per EN14195
	Coating Thickness	:	100 gr/m <sup>2</sup> both sides 10µ m single side
	Coating Finish	:	Normal Spangle (N)
	Surface Quality	:	As-coated surface (A)
	Surface Treatment	:	Chemical Passivation (CA)

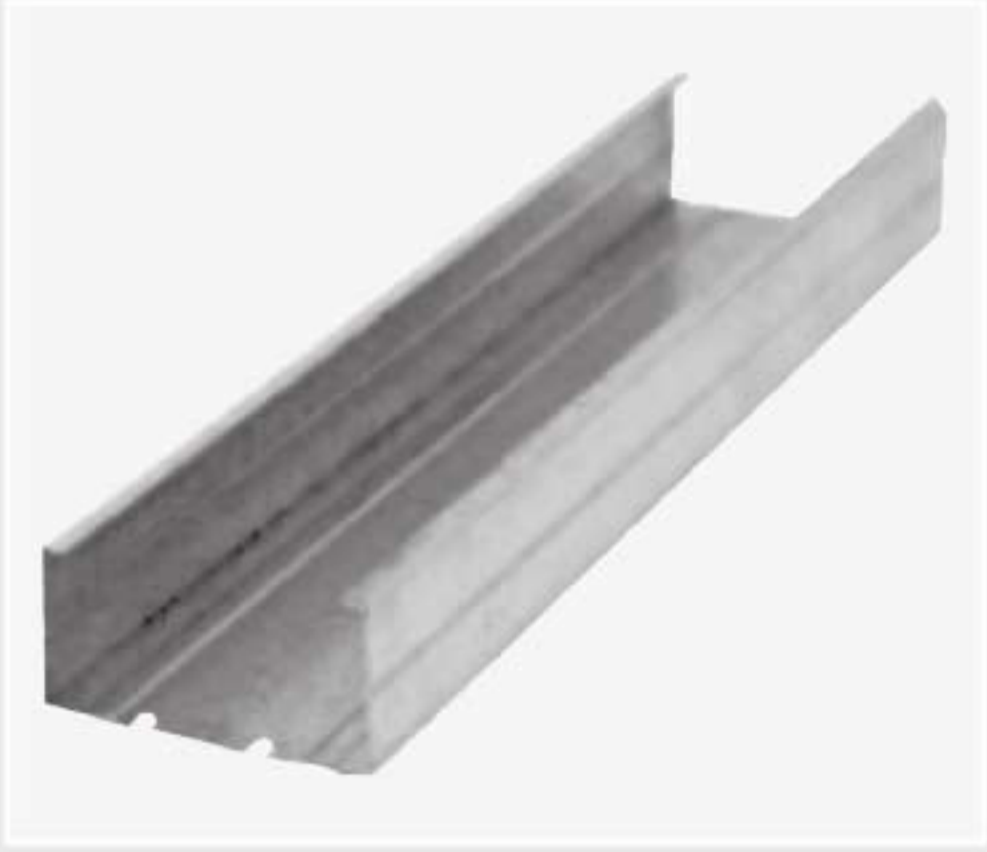
\*Z140 is the standard coating thickness for Knauf Drywall Systems profiles. Higher coating thicknesses are available upon request. Contact Knauf Drywall Systems sales team for availability and delivery times.

## Steel Character



# Knauf Metal Profiles Types/Sections and Their Application Areas

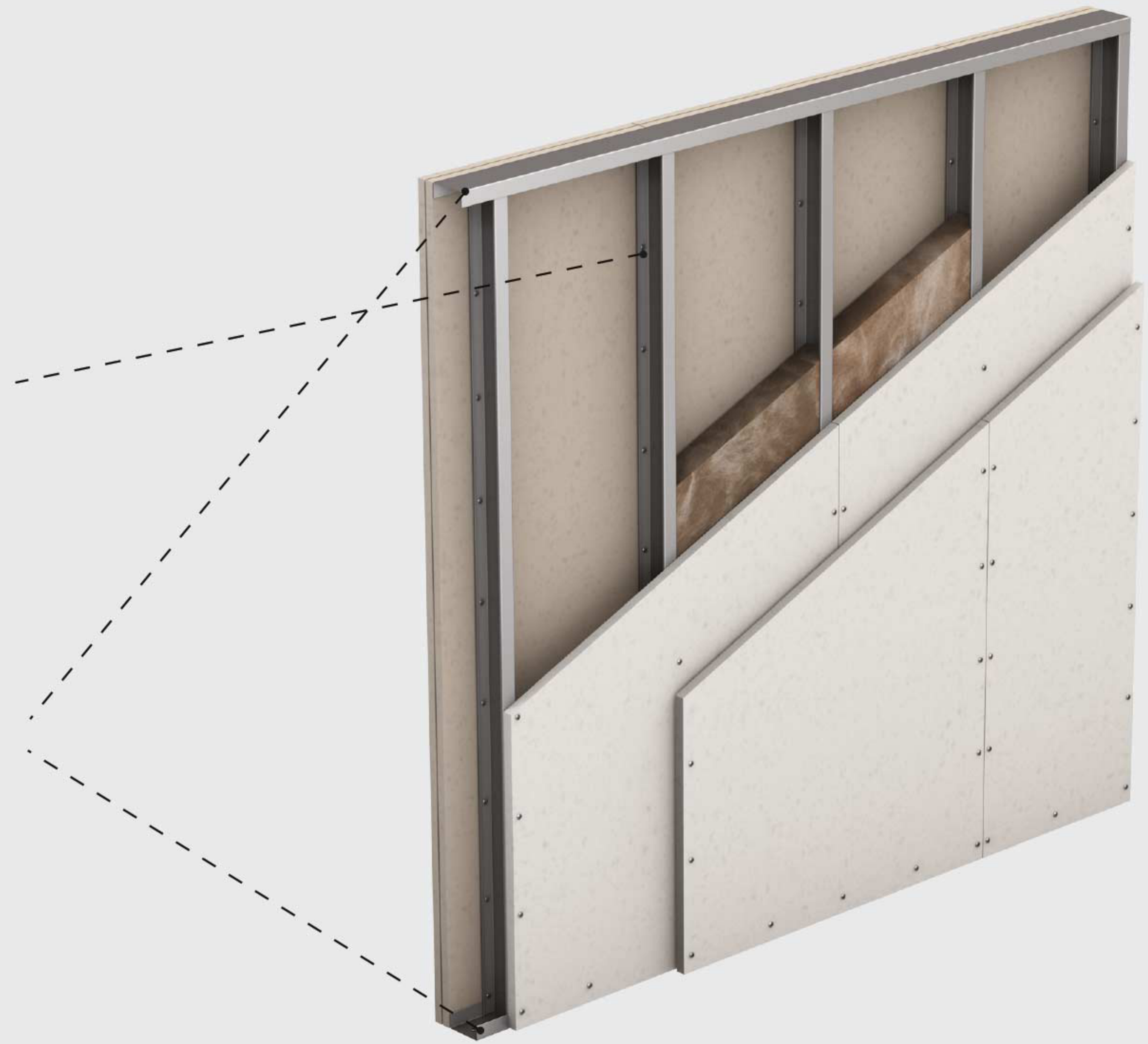
## Partitions



Knauf CW  
C shaped profiles friction fit at equal distances into the head and base UW channels to form the vertical metal stud frame



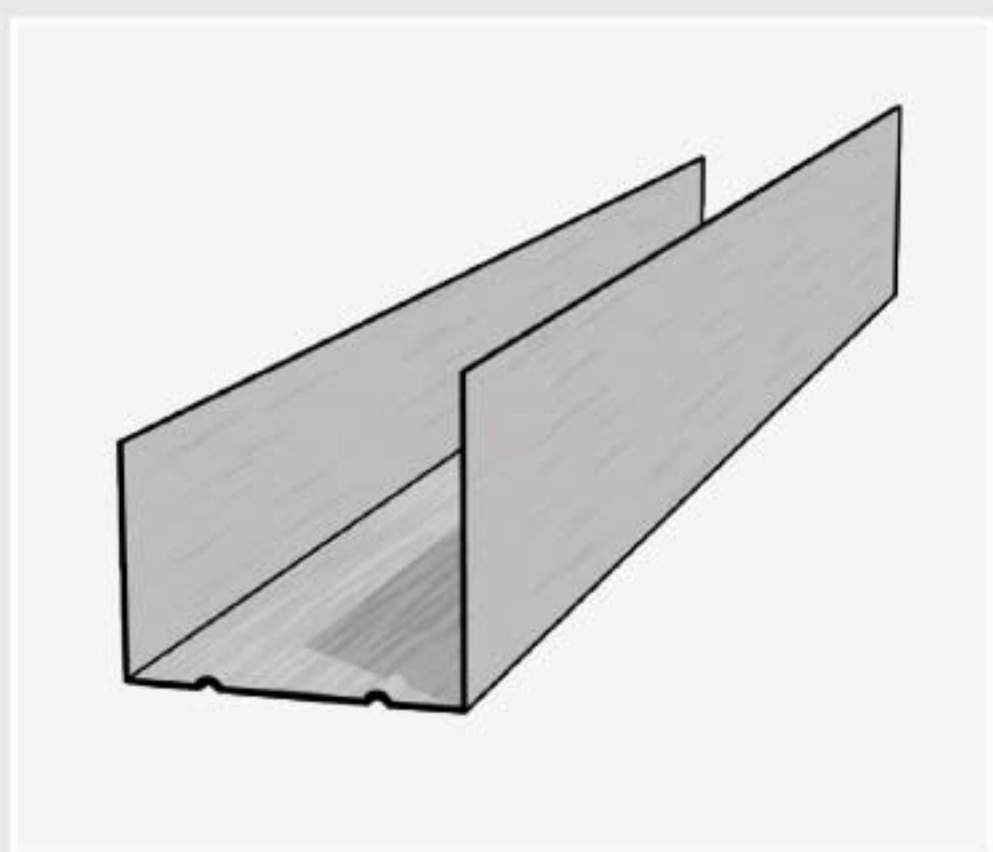
Knauf UW Tracks  
U-shaped profiles used for forming the floor and ceiling perimeter frame in drywall partitions



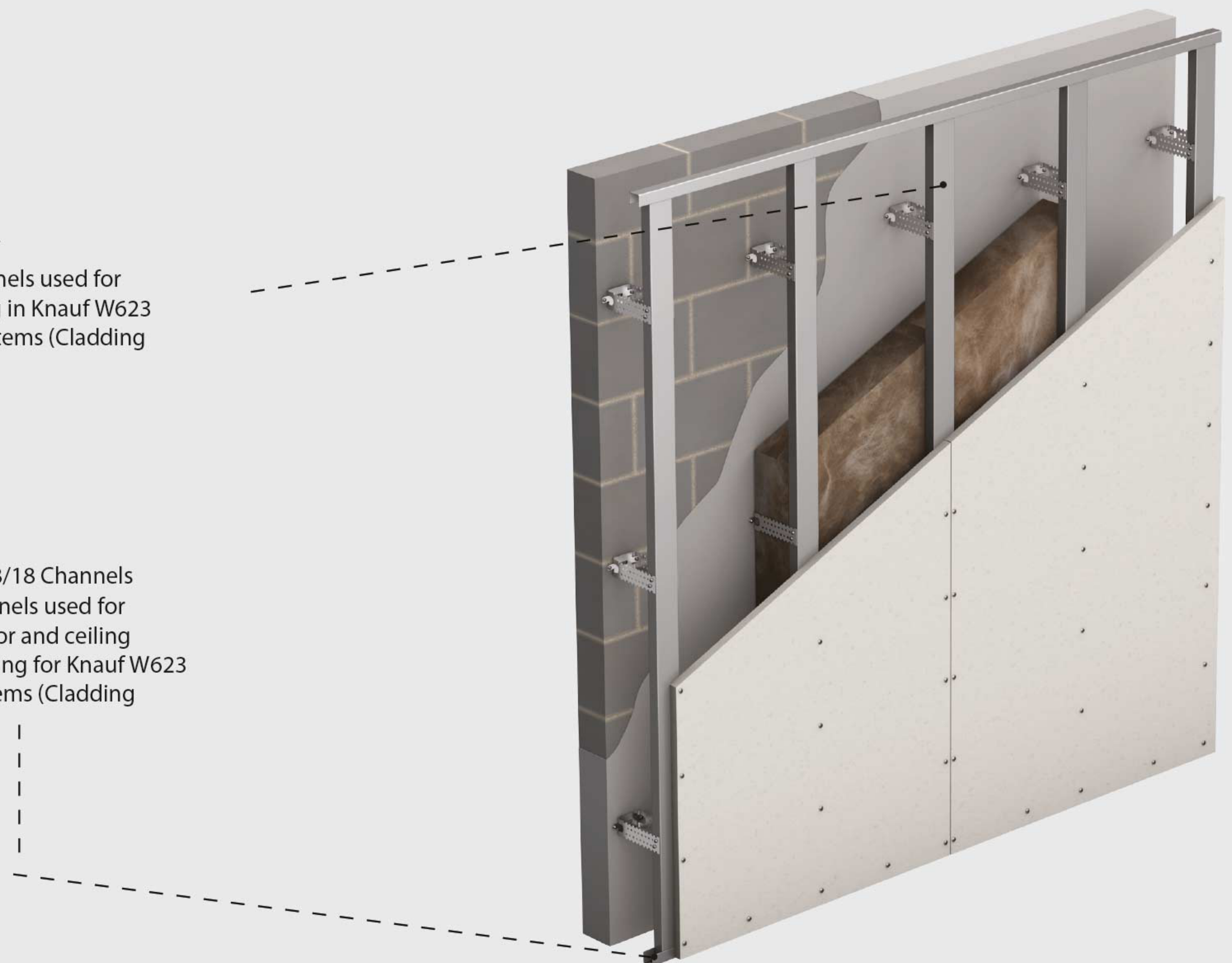
## Wall Linings / Furrings



Knauf CD 60/27  
C-shaped channels used for vertical framing in Knauf W623 Wall Lining Systems (Cladding Systems)



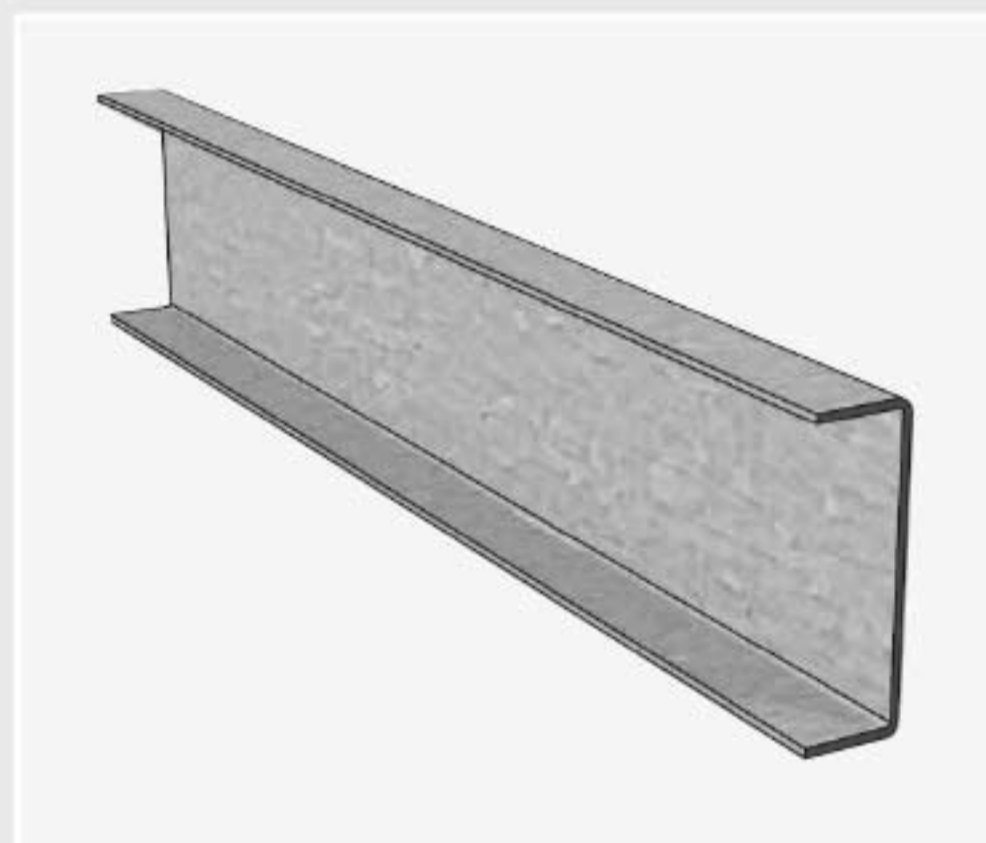
Knauf UD 37/28/18 Channels  
U-Shaped channels used for forming the floor and ceiling perimeter framing for Knauf W623 wall lining systems (Cladding Systems)





# Knauf Metal Profiles Types/Sections and Their Application Areas

## Ceilings



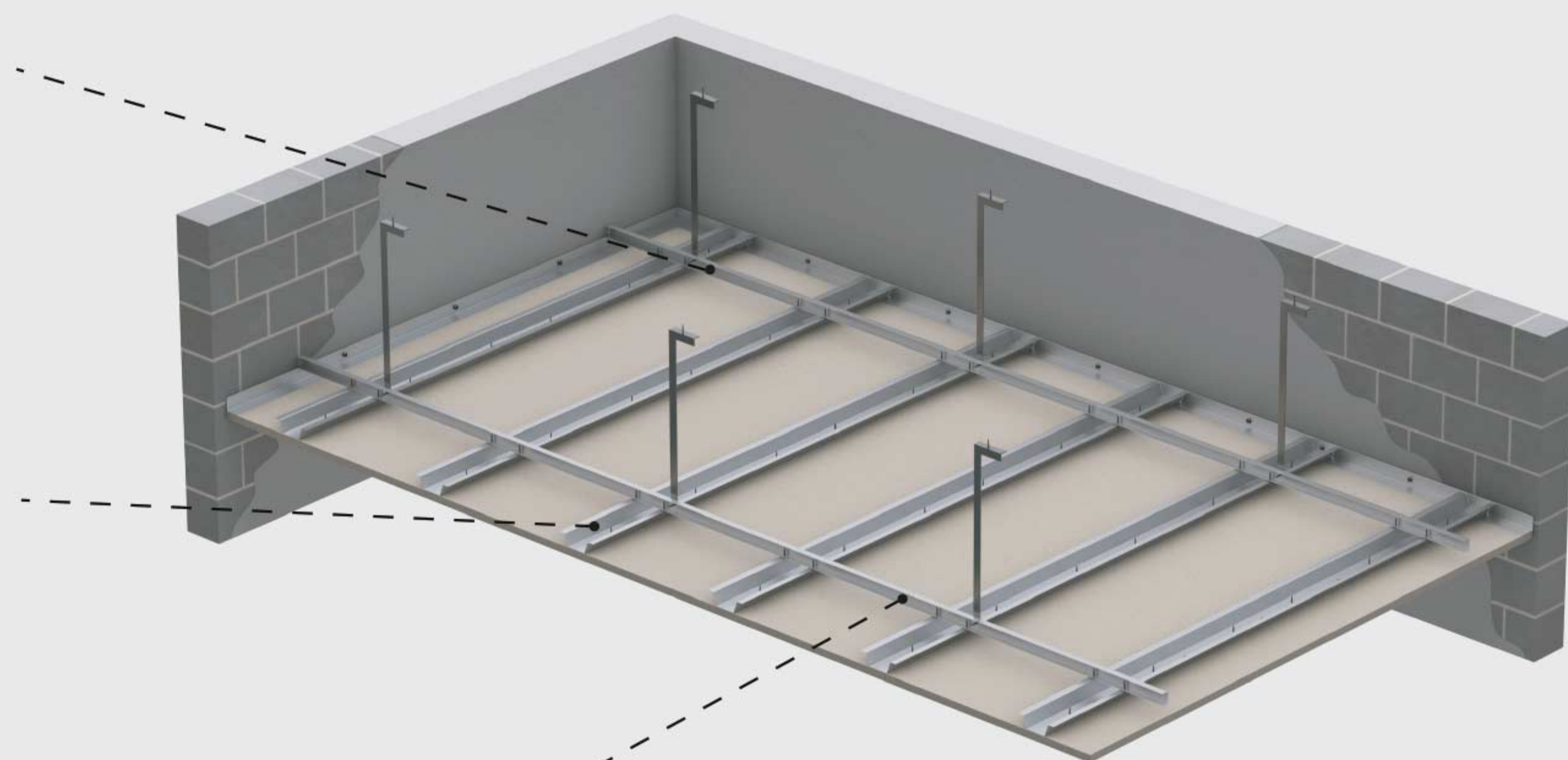
**Knauf Main Channel**  
Galvanized lightweight steel section to be used as main channels for conventional drywall ceiling systems



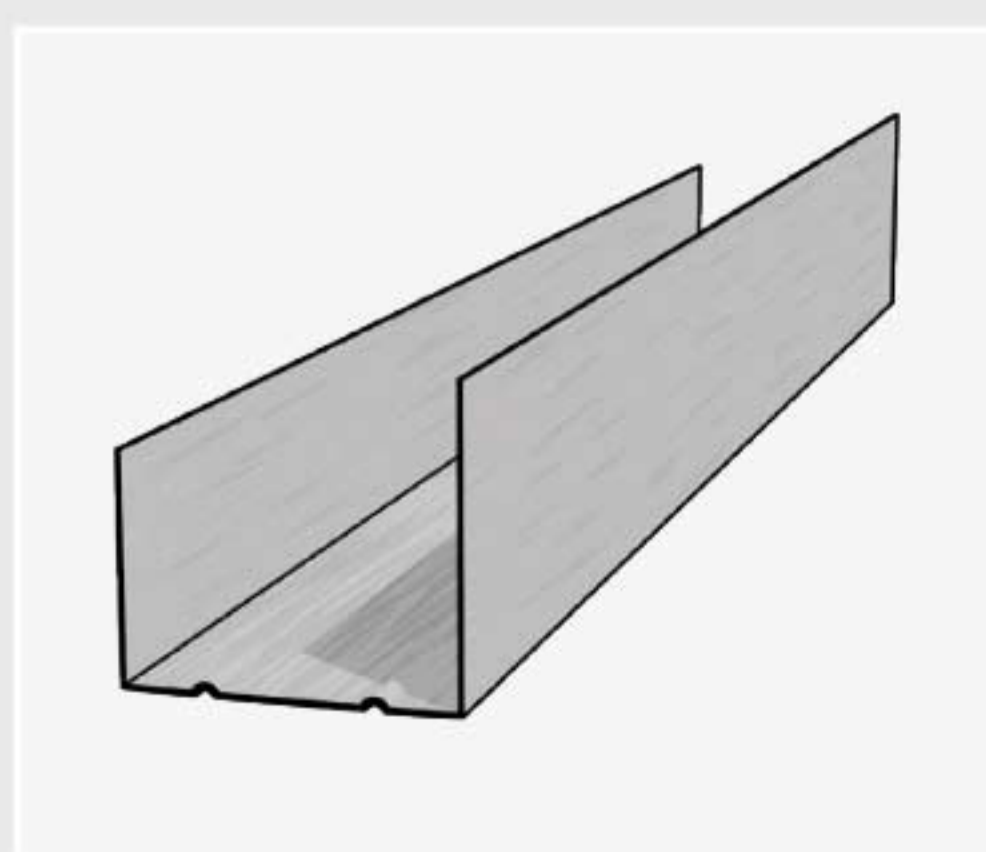
**Knauf Hat Furring Channel**  
Galvanized lightweight steel sections to be used as furring channels for conventional drywall ceiling and wall lining systems.



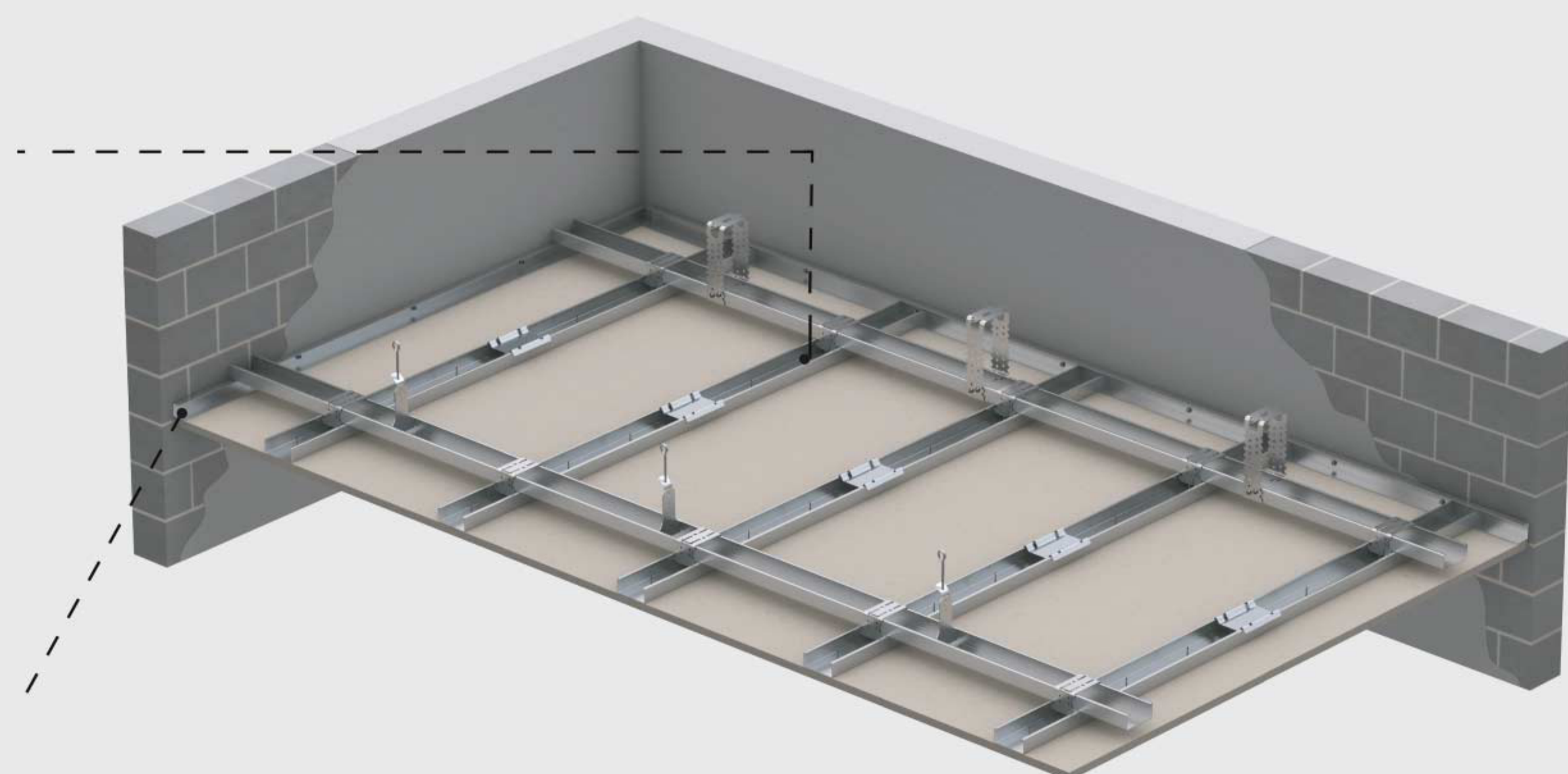
**Knauf L Angle Channel**  
Galvanized lightweight steel section to be used as perimeter framing for conventional drywall ceiling systems



**Knauf CD 60/27**  
C-shaped channels used for carrying main upper and furring/lower channel in Knauf D11 Ceiling Systems

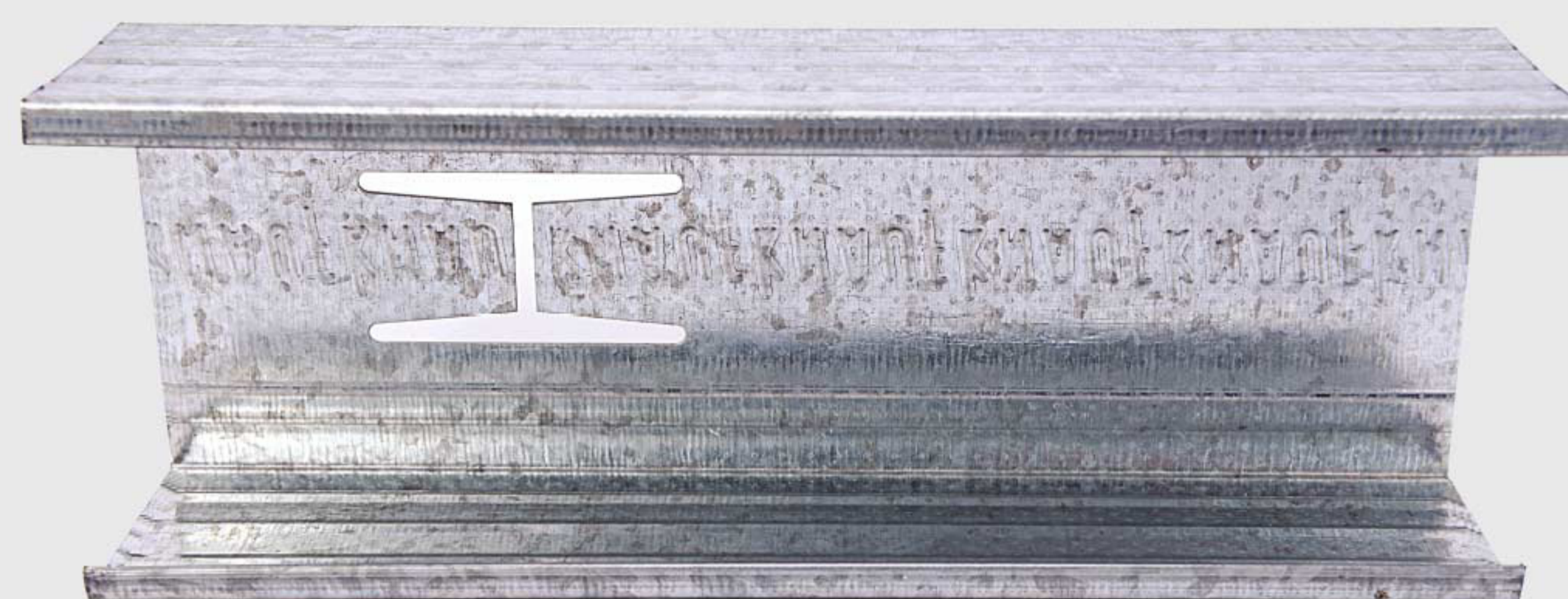


**Knauf UD 37/28/18 Channels**  
U-Shaped channels used for perimeter framing for Knauf D11 Ceiling systems



## 10 Facts about Knauf CW/Studs and CD Channels

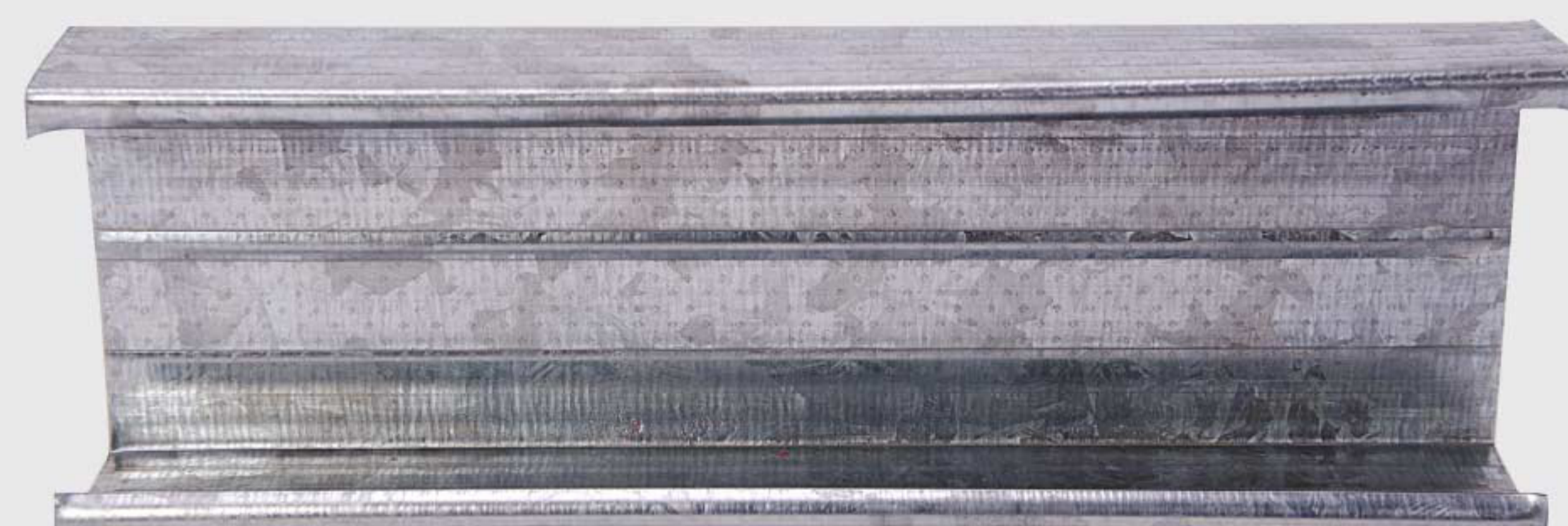
1. 0.6mm metal thickness for sections that are robust, strong and durable
2. Central indentation allows easy alignment of gypsum board joints
3. 50 mm long flanges allow faster and easy board alignment and joint treatment for higher wall height performance even with 600mm spacing (provides 42 % more surface than traditional C-studs)



Knauf CW 50 Studs

4. Asymmetric flanges heights allow easy boxing of studs
5. H-shaped slots allow easy installation of MEP cabling
6. 60 mm web part allows much easier board alignment, screwing and joint treatment (provides 50% more space than traditional hat furring channels)
7. Triple indentation enhances the rigidity of the channel

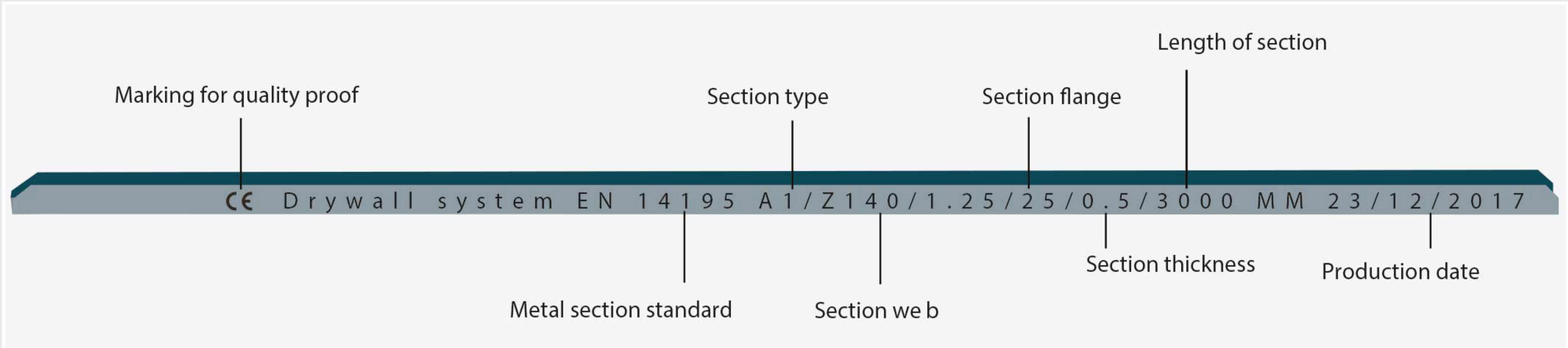
8. Special lip design increases the load capacity of the system and provides a better locking mechanism for suspension accessories



Knauf CD 60/27 Channels

9. A multifunctional design allows the same channel to be used both for wall linings and ceilings
10. Knauf Profile Knurling is made with a special mechanical treatment to assist the positioning of screws on the surface of the profile.

# How to Identify a Knauf Metal Section On-Site



Example use of Knauf metal profiles in partitions

## Knauf Metal Accessories

As part of its “complete drywall system” approach, Knauf also provides a full set of accessories specifically designed to be used with Knauf metal sections to construct the metal substructure for certified drywall systems. All of the accessories are produced from high grade steel with Z140 coating.



### Knauf Ankerfix (Hanger with lock)



Anchor type suspender for attaching hanging wires to Knauf CD channels. Designed exclusively to be used with Knauf D11 Ceiling System. (Load bearing capacity class = 25 kg.)

### Knauf Hanging Wire



Galvanized 4.0 mm thick steel wires used as suspenders for Knauf D11 Ceiling System. Knauf hanger wires are fixed to the basic ceiling with the help of ceiling dowels and are connected to the metal grid with the help of Knauf Ankerfix. Recommended for suspension heights up to 4.5m. (Load bearing capacity class = 25 kg.)

## Accessories

These are galvanized lightweight steel sections fixed to structural ceilings for deflection performance in partition and wall lining systems. Up to 40 mm deflection allowance is possible when used.

### Universal Bracket (Direct Hanger)



Accessory used as adjustable brackets Hangers for Knauf W623 Wall Lining System or as suspenders for Knauf D11 Ceiling System. Attaches to Knauf CD Channels with LN 3,5 screws. Can be cut and bend according to the suspension height. Designed exclusively to be used with Knauf D11 Ceiling System and W623 Wall Lining System. (Load bearing capacity class = 40 kg.)



### M – Connector



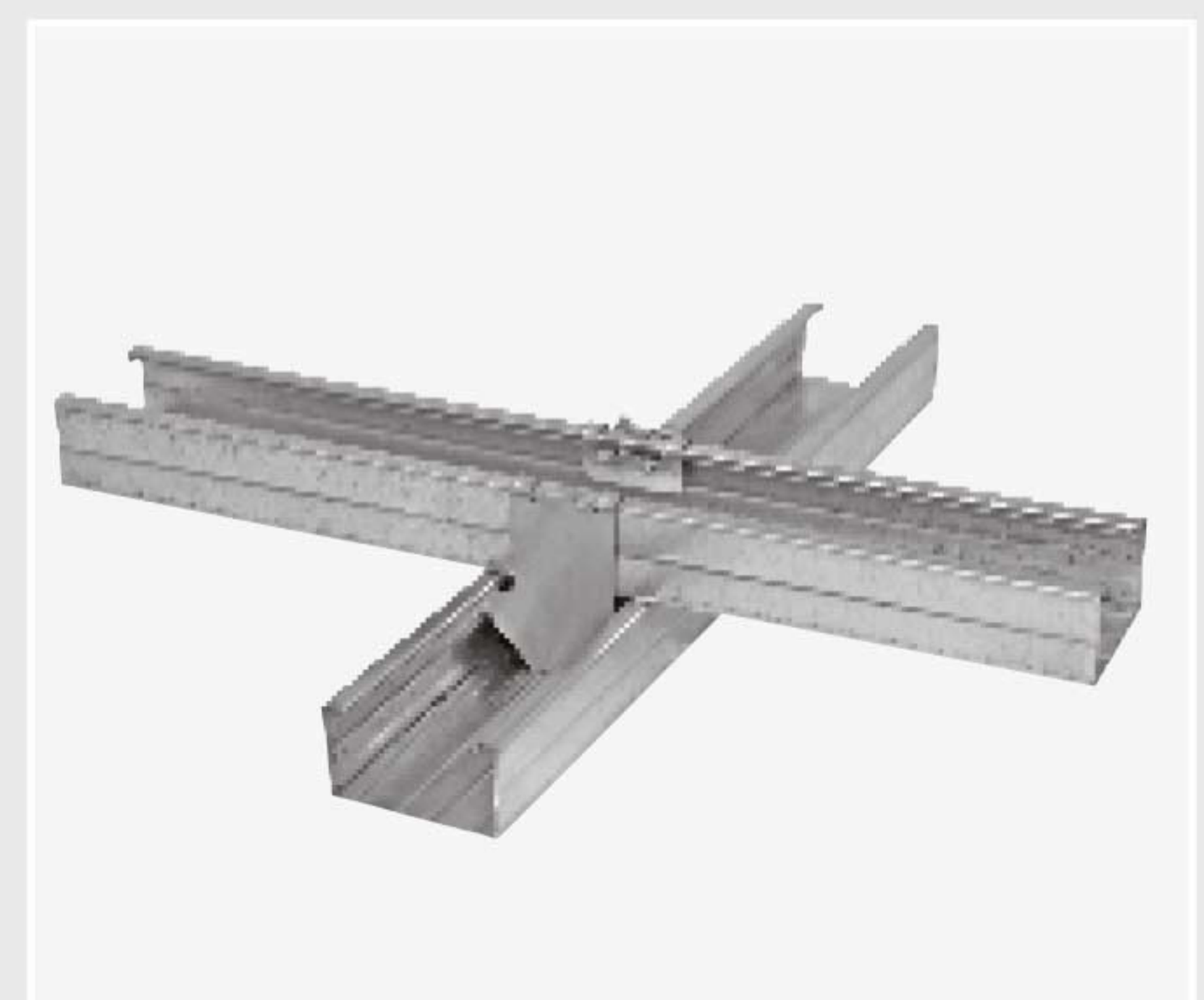
Galvanized connector piece used for extending Knauf CD Channels in cases of long spanned ceilings. Designed exclusively to be used with Knauf D11 Ceiling System and W623 Wall Lining System.



### Cross Connector



Galvanized Cross Connector to connect the carrying (main / upper) CD channels to the furring (secondary / lower) CD channels forming the Knauf D112 ceiling grid. Designed exclusively to be used with Knauf D112 Ceiling System.

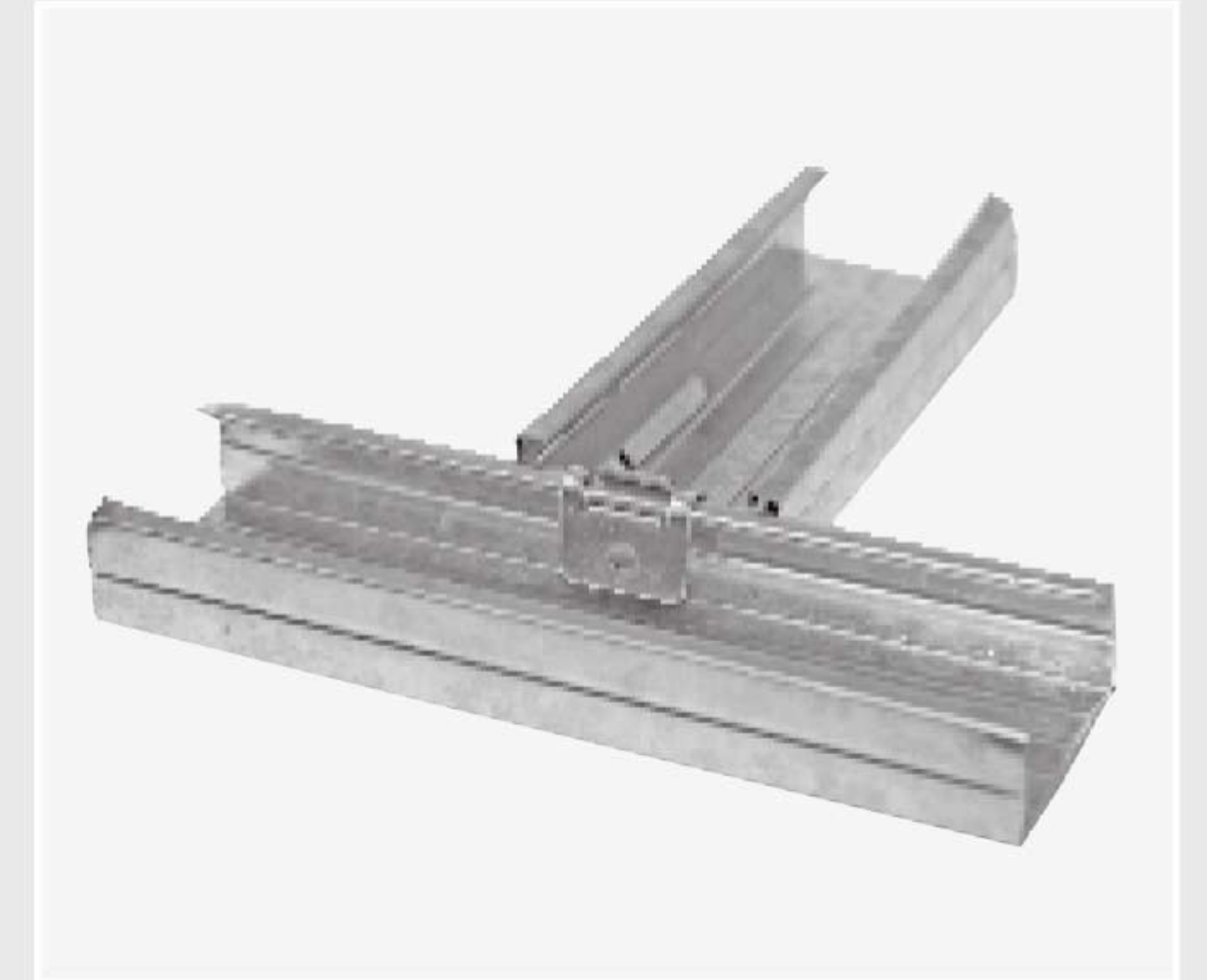


# Accessories

## Universal Connector



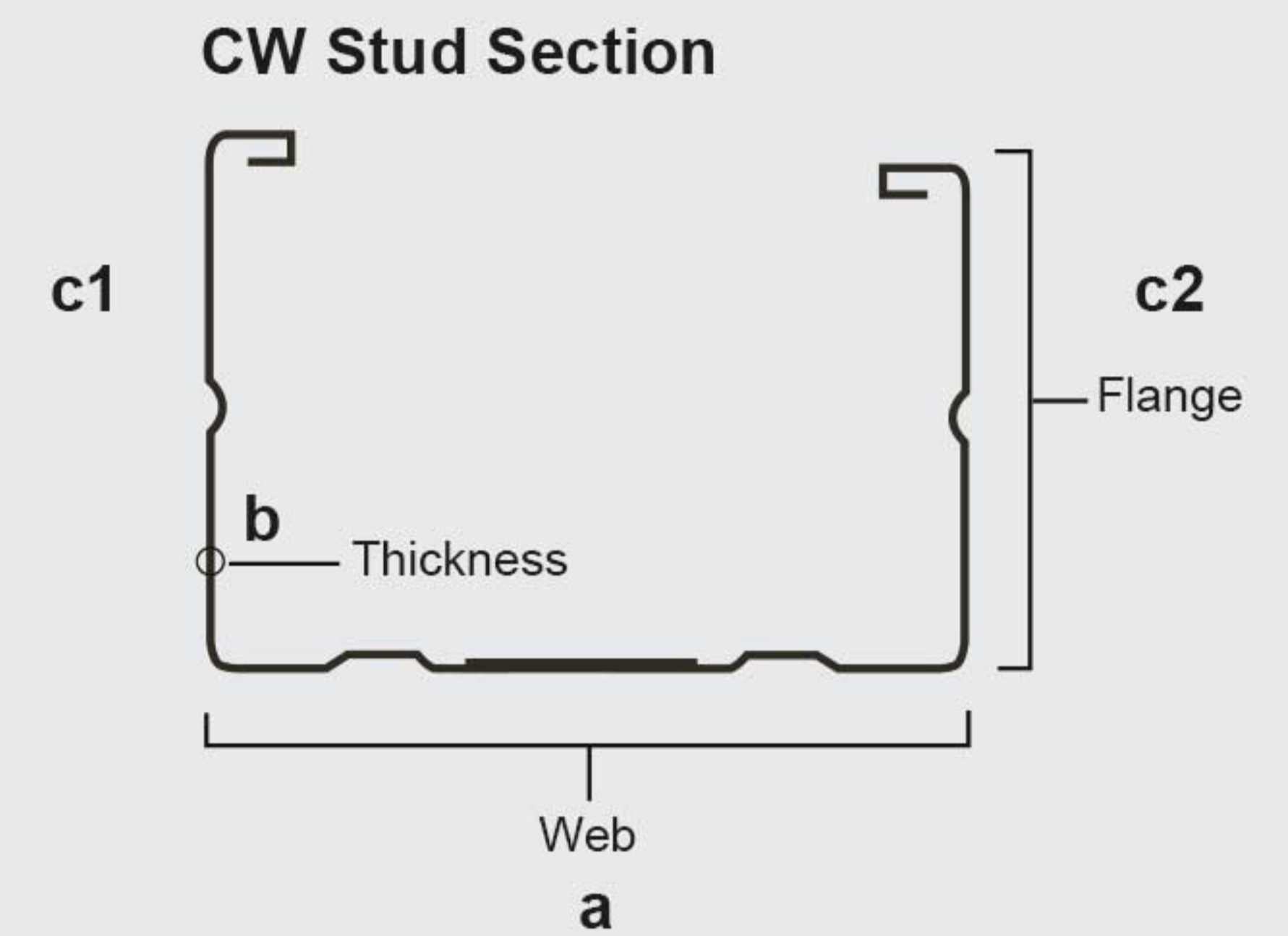
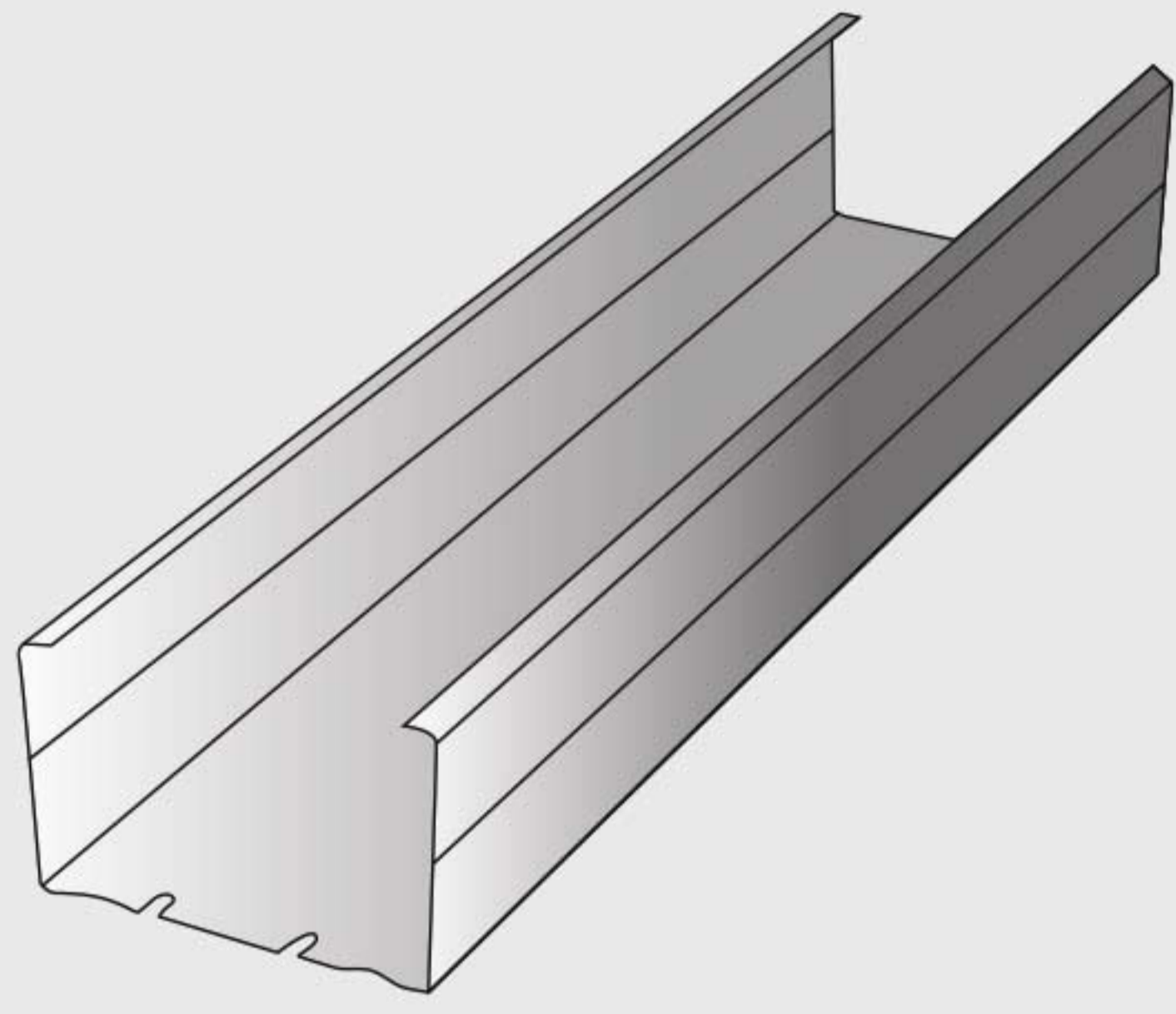
Galvanized accessories to connect Knauf CD Channels at intersection points in the Knauf D113 System grid. 2 Universal Connectors per intersection point.



## Example use of Knauf metal profiles and accessories in ceiling applications



# Knauf CW Studs



Knauf CW Studs are galvanized lightweight steel sections to be used as vertical stud framing for drywall partitions and wall linings. All CW Studs comply with EN14195.

### Features:

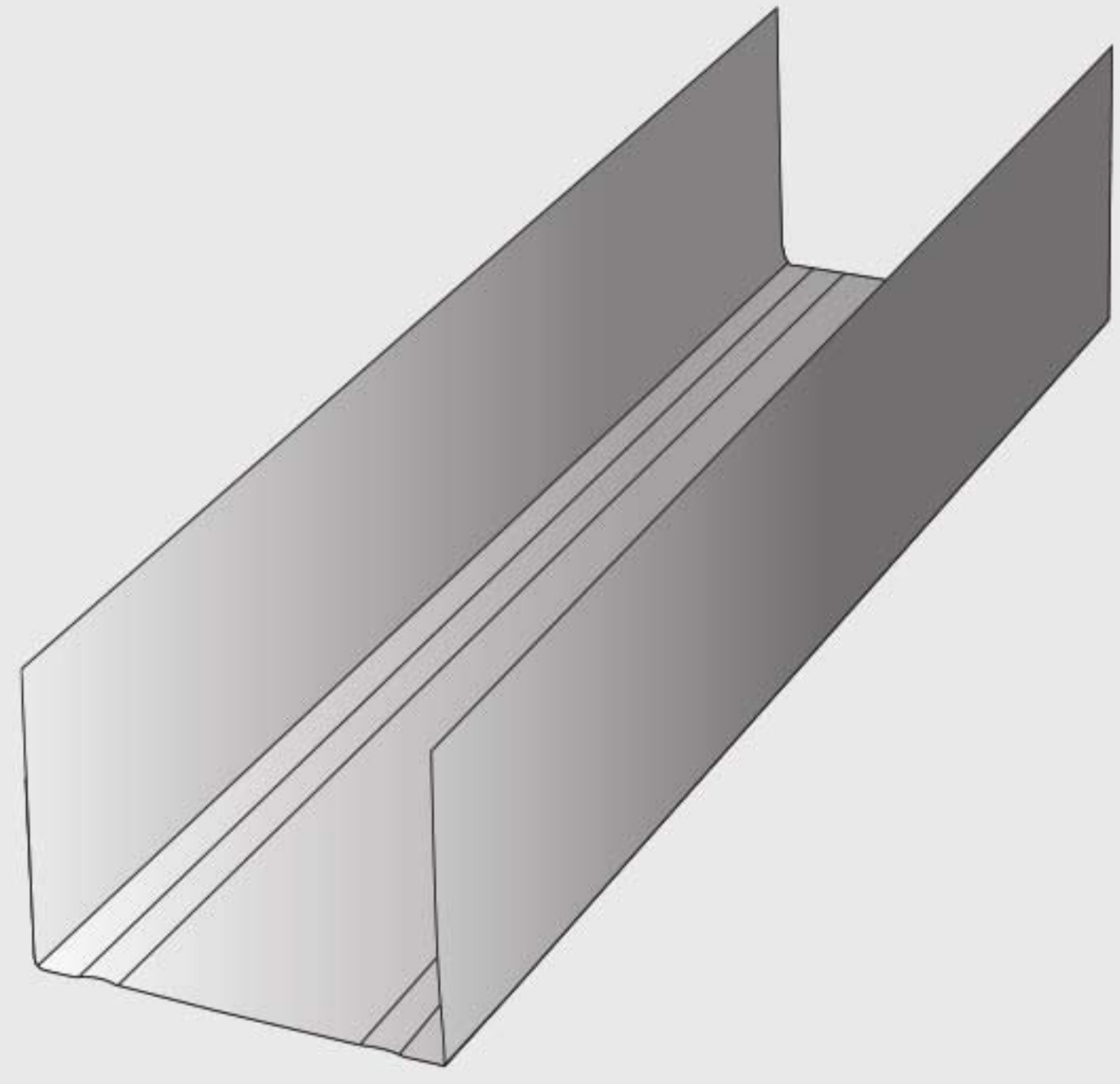
- ✓ Asymmetrical flanges allow easy boxing of studs when necessary
- ✓ Readymade slots through the web for pipe electrical cabling

Stud Type	Stud Web (a) (mm)	Stud thickness (b) (mm)	Stud Flange (c1,c 2) (mm)	Stud Length <sup>(1)</sup> (mm)	Weight (kg/m)	Zinc Coating Class <sup>(2)</sup> (g/m <sup>2</sup> )
Knauf CW50 Stud	50	0.6	50/48	3000	0.74	Z140
Knauf CW75 Stud	75				0.87	
Knauf CW100 Stud	100				0.97	

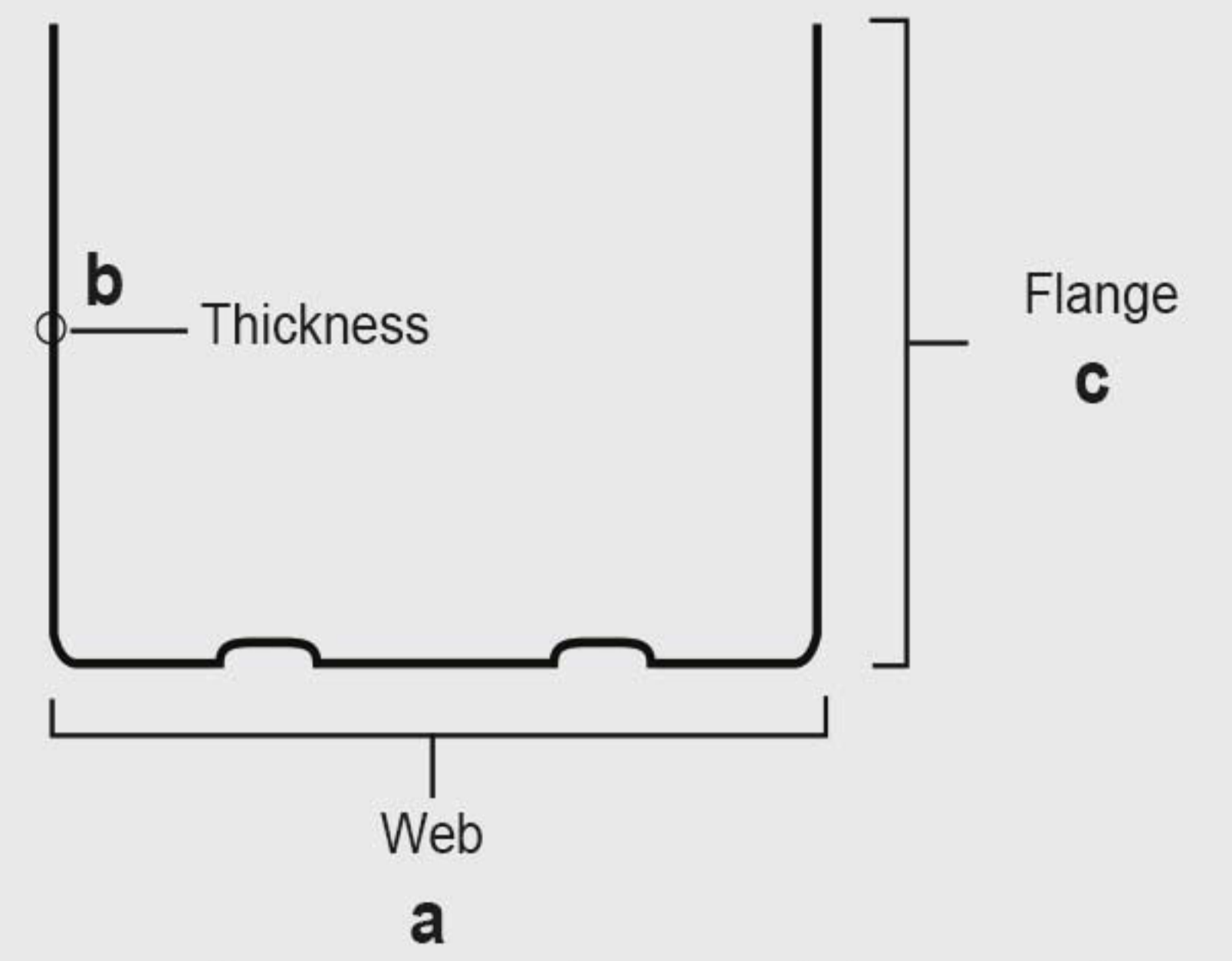
(1): 3000mm is the standard retail sales length of the studs. For customized stud lengths please contact Knauf Egypt Sales Team

(2): Z140 is the standard retail zinc coating thickness sufficient for interior drywall applications. Higher zinc coated stud production also possible. For customized zinc coating requirements please contact Knauf Egypt Sales Team

# Knauf UW Tracks



UW Track Section



These are galvanized lightweight steel sections fixed to structural ceilings for deflection performance in partition and wall lining systems. Up to 40 mm deflection allowance is possible when used.

Track Type	Track Web (a) (mm)	Track thickness (b) (mm)	Track Flange (c) (mm)	Track Length <sup>(1)</sup> (mm)	Weight (kg/m)	Zinc Coating Class <sup>(2)</sup> (g/m <sup>2</sup> )
Knauf UW 50 Track	50	0.6	40	4000	0.595	Z140
Knauf UW 75 Track	75	0.6			0.714	
Knauf UW 100 Track	100	0.6			0.830	

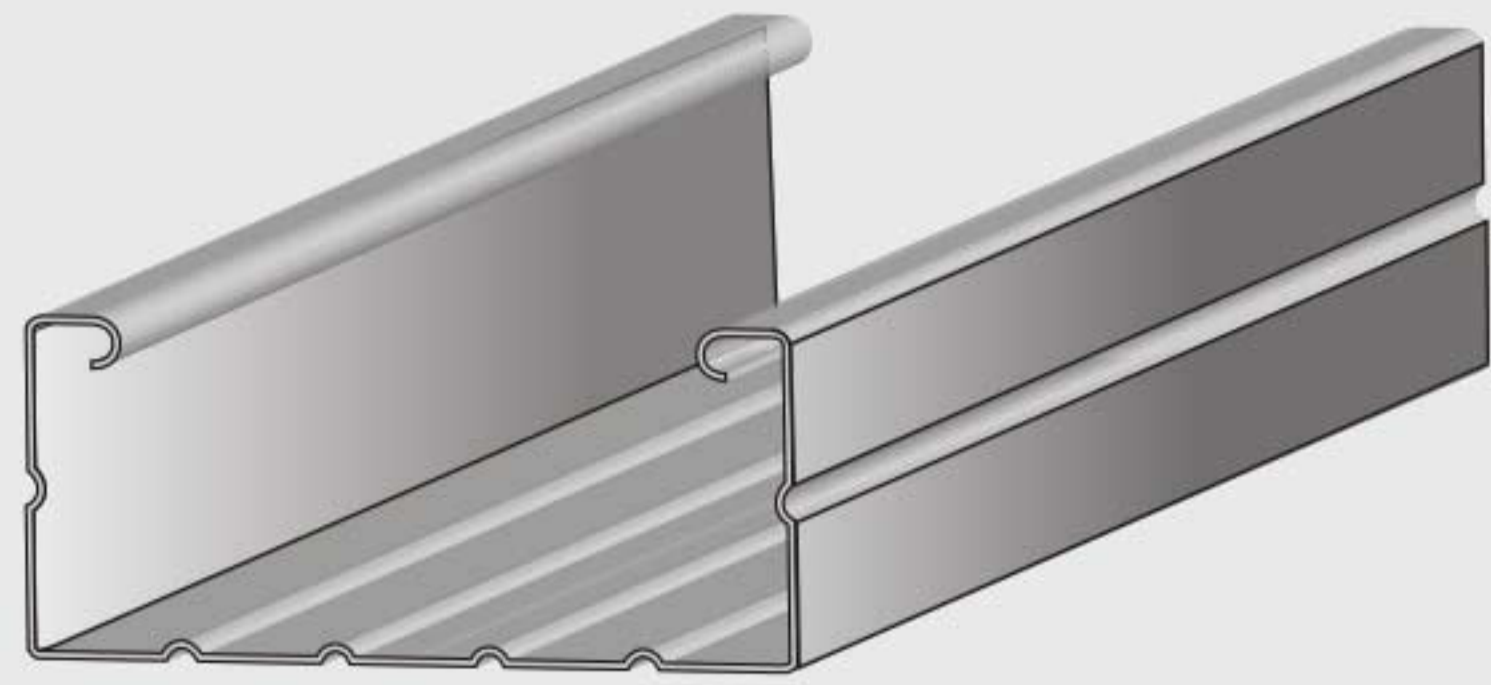
(1): 4000mm is the standard retail sales length of the Tracks. For customized Track lengths please contact Knauf Egypt Sales Team

(2): Z140 is the standard retail zinc coating thickness sufficient for interior drywall applications. Higher zinc coated Track production also possible. For customized zinc coating requirements please contact Knauf Egypt sales Team

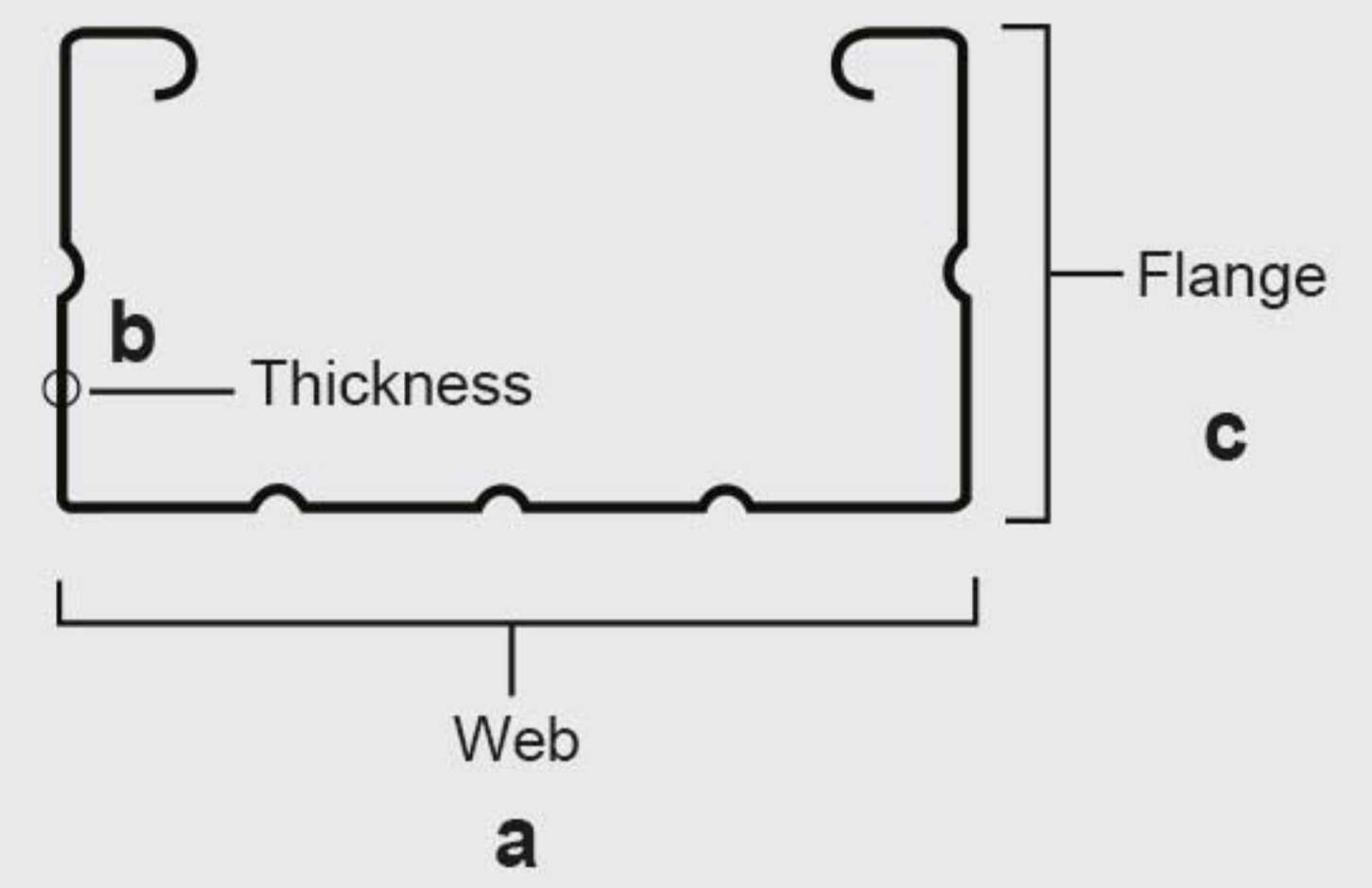




# Knauf CD Channels



CD Channel Section



Knauf CD Channels are galvanized lightweight steel sections to be used as primary/main and secondary/furring channels for Knauf Ceiling Systems and also as furring channels for Knauf W623 Wall Lining Systems. Their increased web width allows faster and easier installation and smoother joints. All CD Channels comply with EN14195.

## Features :

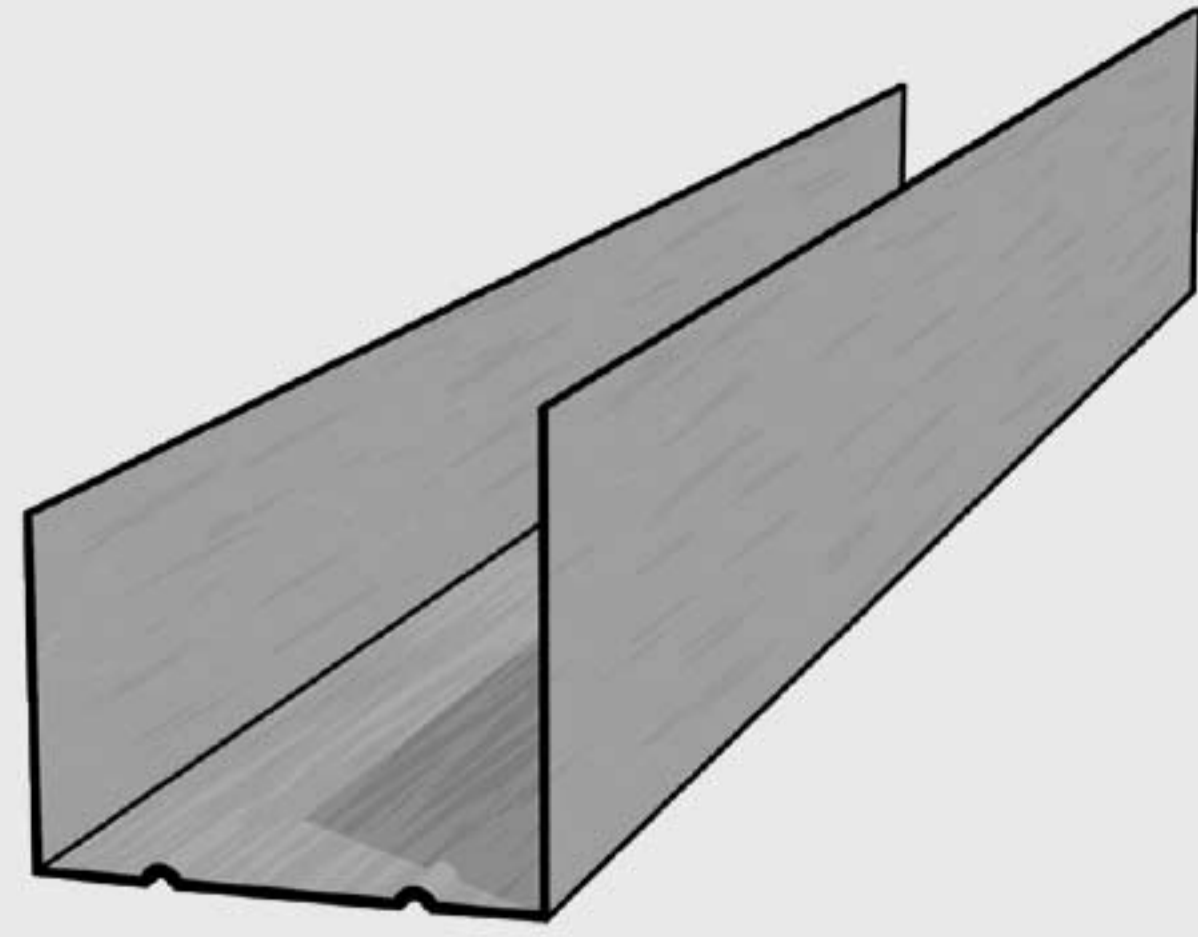
- ✓ Sturdy 0.6 mm sections with full set of compatible accessories
- ✓ Part of a complete ceiling system
- ✓ Only one type of channel for main and furring functions
- ✓ Increased web width for faster/easier installations and smoother joints

Stud Type	Channel Web (a) (mm)	Channel thickness (b) (mm)	Channel Flange (c) (mm)	Channel Length <sup>(1)</sup> (mm)	Weight (kg/m)	Zinc Coating Class <sup>(2)</sup> (g/m <sup>2</sup> )
Knauf CD Channel	60	0.6	27	4000	0.572	Z140

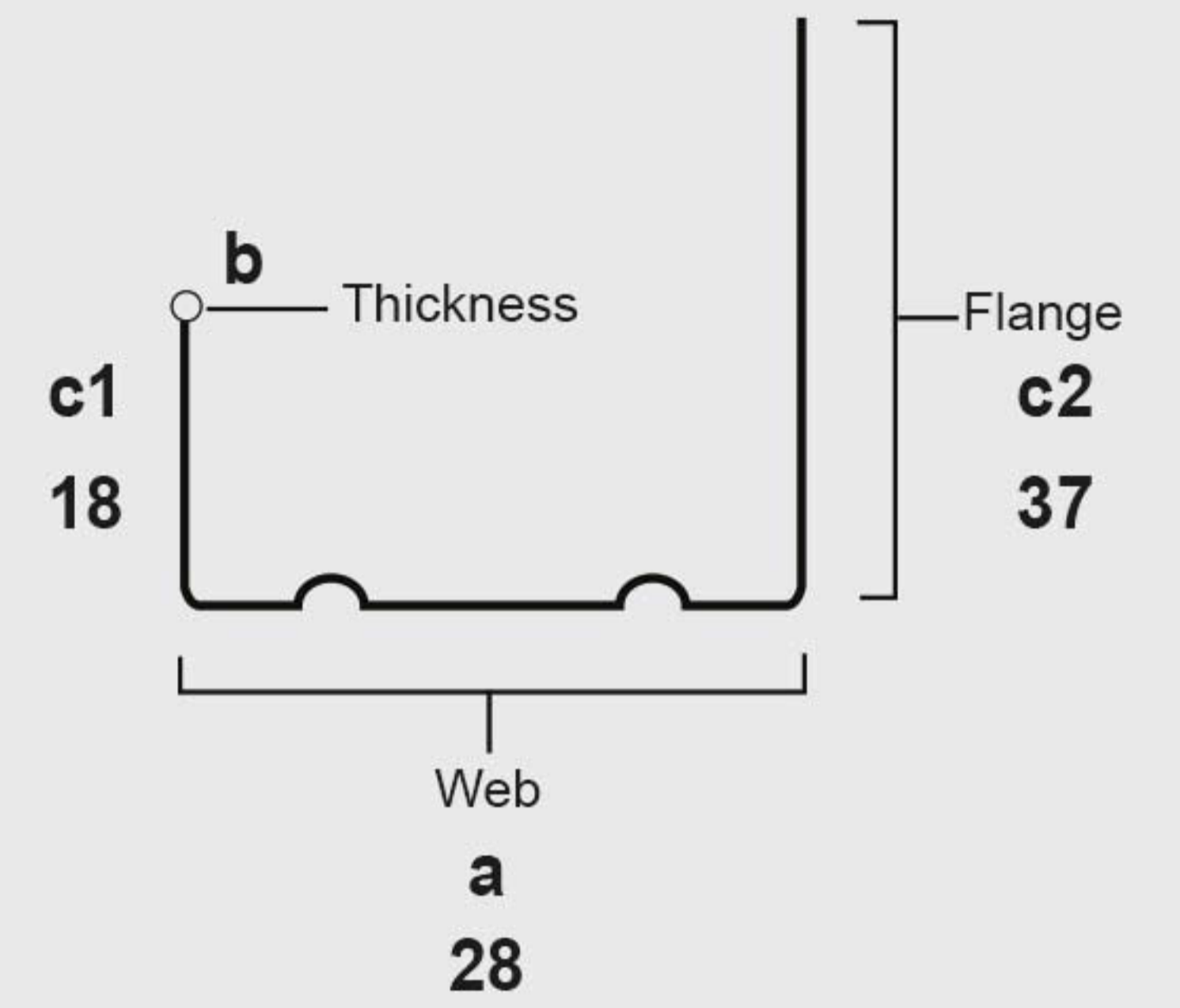
(1): 4000mm is the standard retail sales length of the channels. For customized channel lengths please contact Knauf Egypt Sales Team

(2): Z140 is the standard retail zinc coating thickness sufficient for interior drywall applications. Higher zinc coated channel production also possible. For customized zinc coating requirements please contact Knauf Egypt sales Team

# Knauf UD Channel



UD Channel Section



Knauf UD Channels are galvanized lightweight steel sections to be used as perimeter channels for Knauf D11 Ceiling and W623 Wall Lining Systems. All UD Channels comply with EN14195.

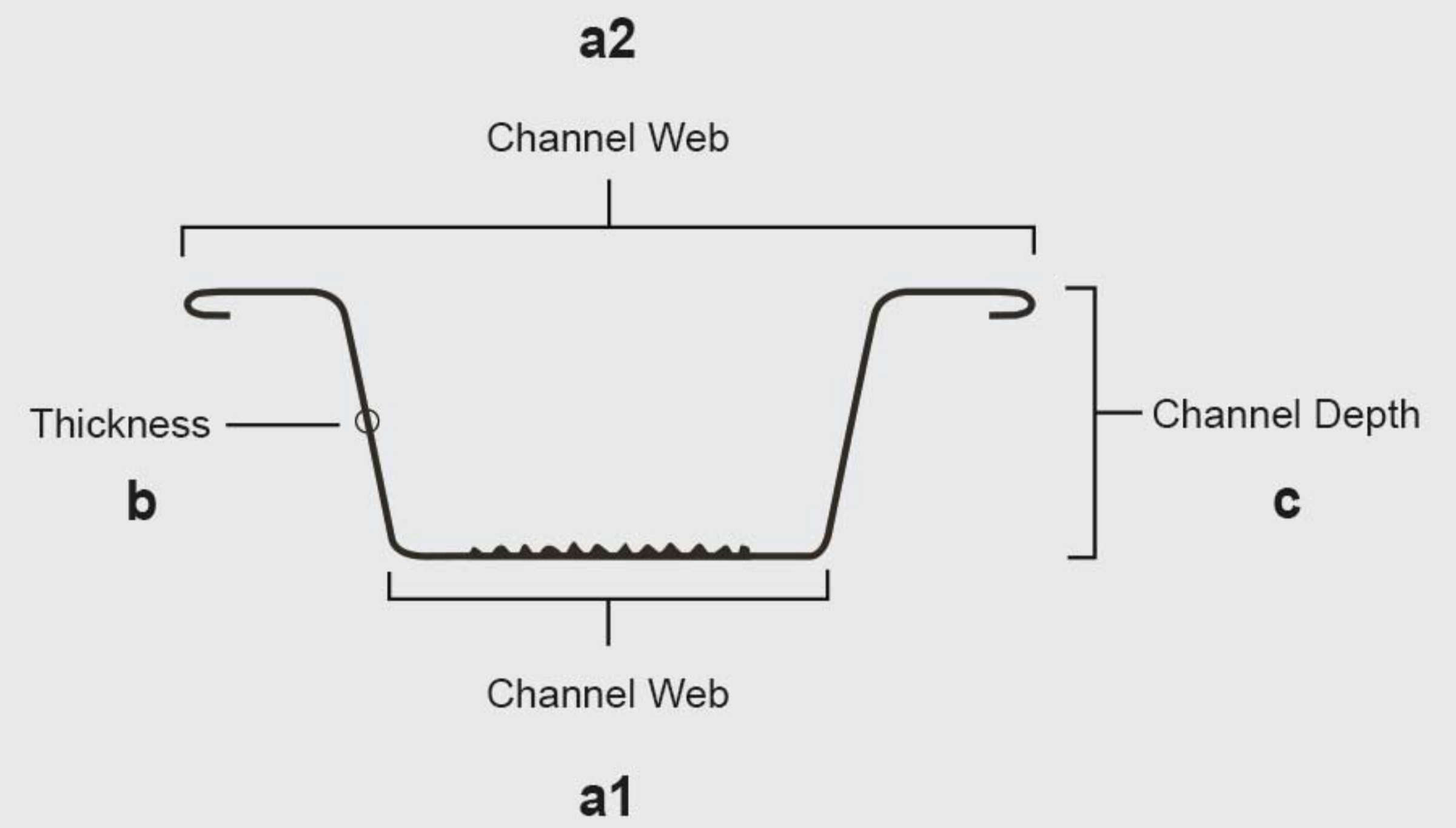
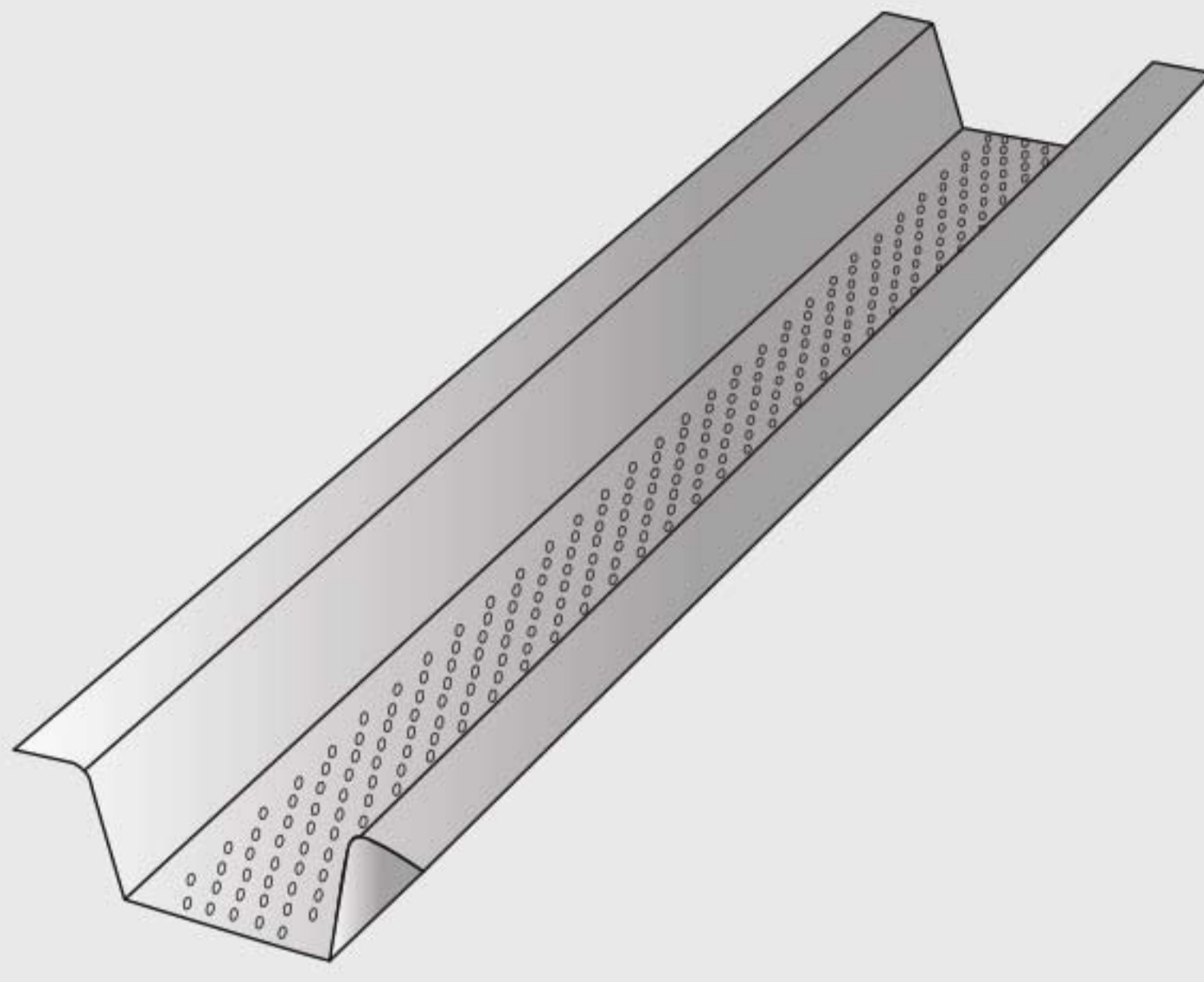
Stud Type	Channel Web (a) (mm)	Channel thickness (b) (mm)	Channel Flange (c) (mm) (C1/C2)	Channel Length <sup>(1)</sup> (mm)	Weight (kg/m)	Zinc Coating Class <sup>(2)</sup> (g/m <sup>2</sup> )
Knauf UD Channel	28	0.6	18/37	3000	0.380	Z140

(1): 3000mm is the standard retail sales length of the channels. For customized channel lengths please contact Knauf Egypt Sales Team

(2): Z140 is the standard retail zinc coating thickness sufficient for interior drywall applications. Higher zinc coated channel production also possible. For customized zinc coating requirements please contact Knauf Egypt Sales Team



## Knauf Hat Furring Channel



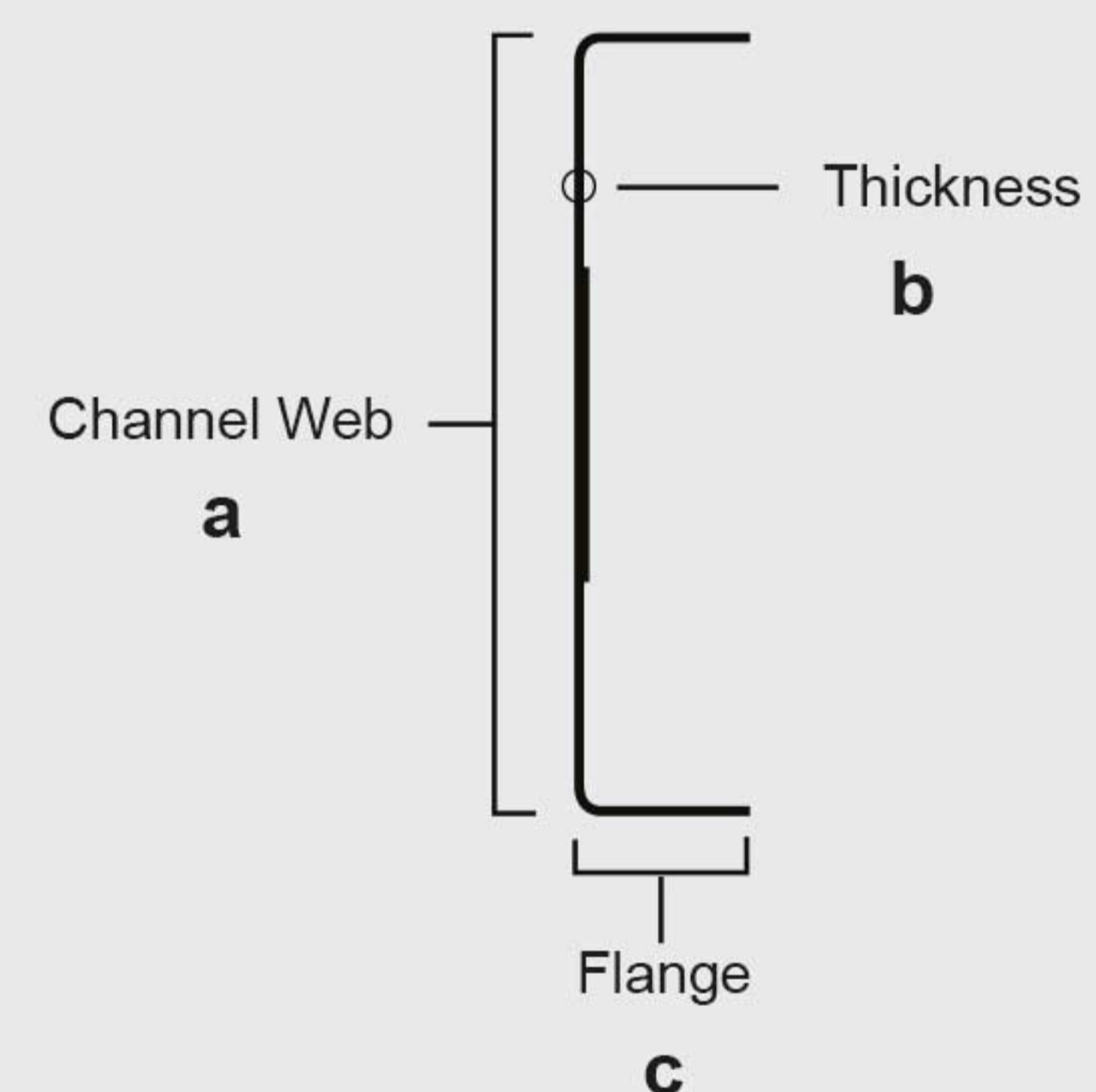
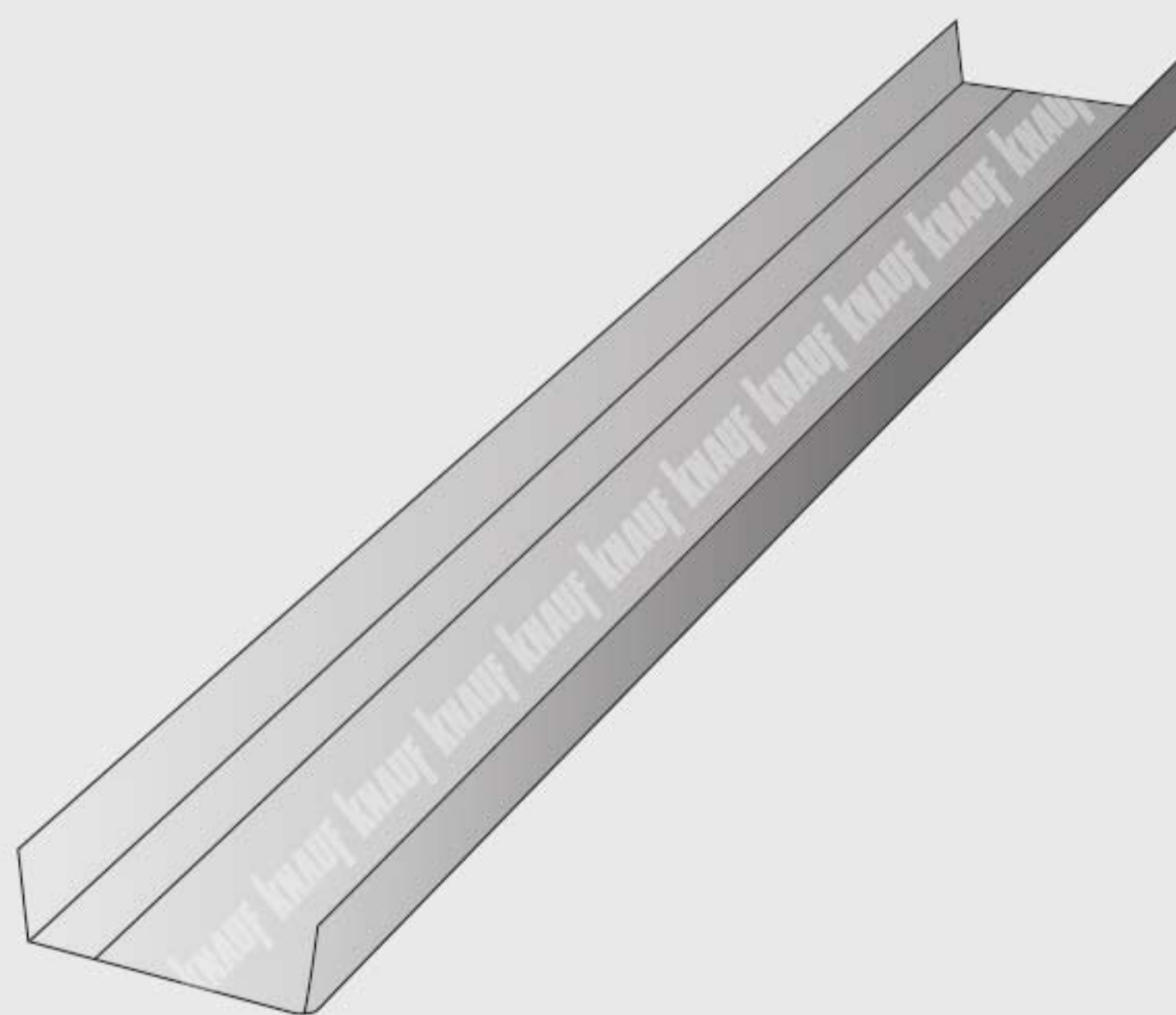
Galvanized lightweight steel sections to be used as furring channels for conventional drywall ceiling and wall lining systems. Deep dotting at the web allows for faster screwing times when cladding gypsum boards.

Channel Type	Channel Web (a1, a2) (mm)	Channel thickness (b) (mm)	Channel Depth (c) (mm)	Channel Length <sup>(1)</sup> (mm)	Weight (kg/m)	Zinc Coating Class <sup>(2)</sup> (g/m <sup>2</sup> )
Knauf Hat Furring Channel	35/67	0.5	22	3000	0.42	Z100-140

(1): 3000mm is the standard retail sales length of the channels. For customized channel lengths please contact Knauf Egypt Sales Team

(2): Z140 is the standard retail zinc coating thickness sufficient for interior drywall applications. Higher zinc coated channel production also possible. For customized zinc coating requirements please contact Knauf Egypt Sales Team

## Knauf Main Channel



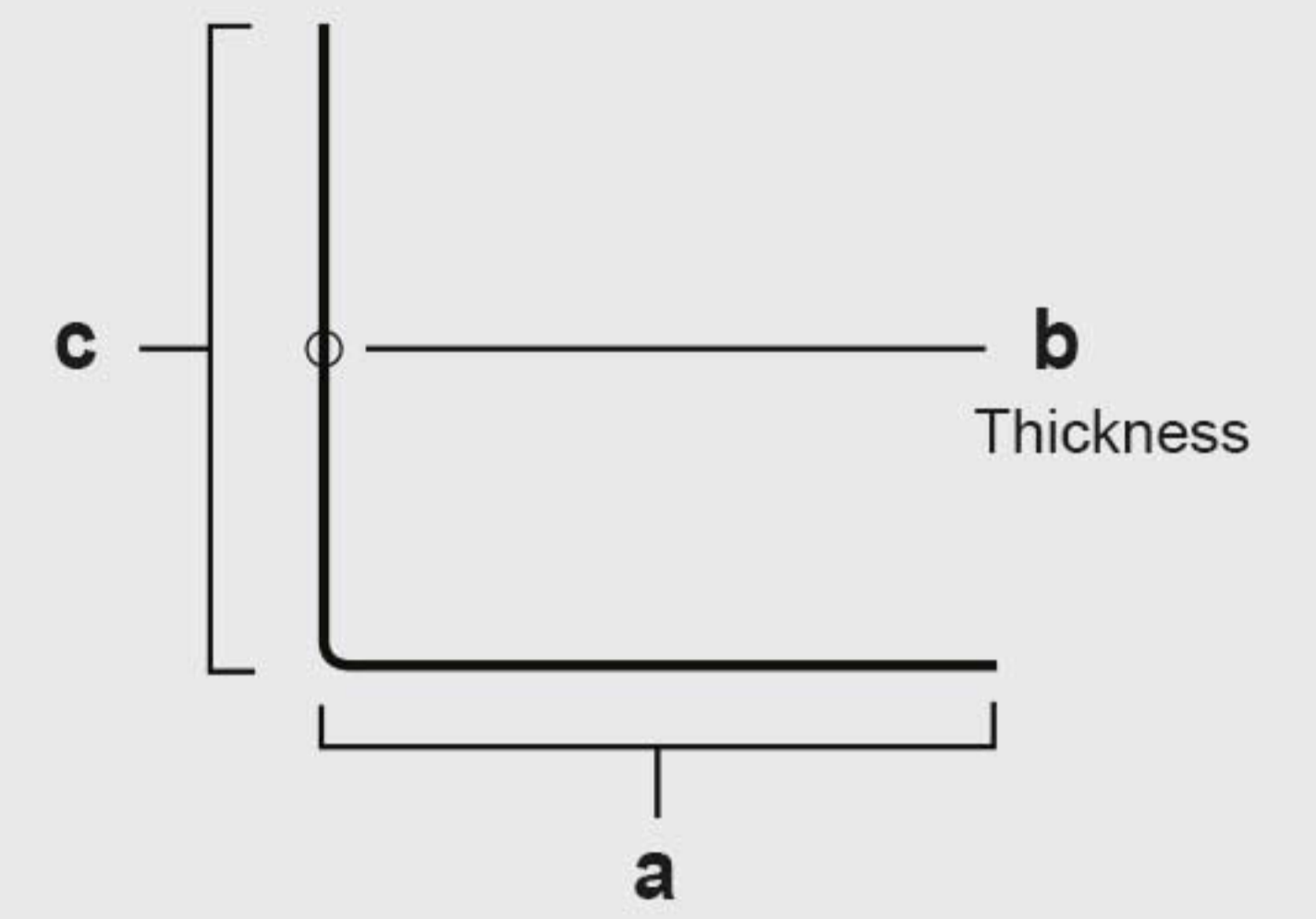
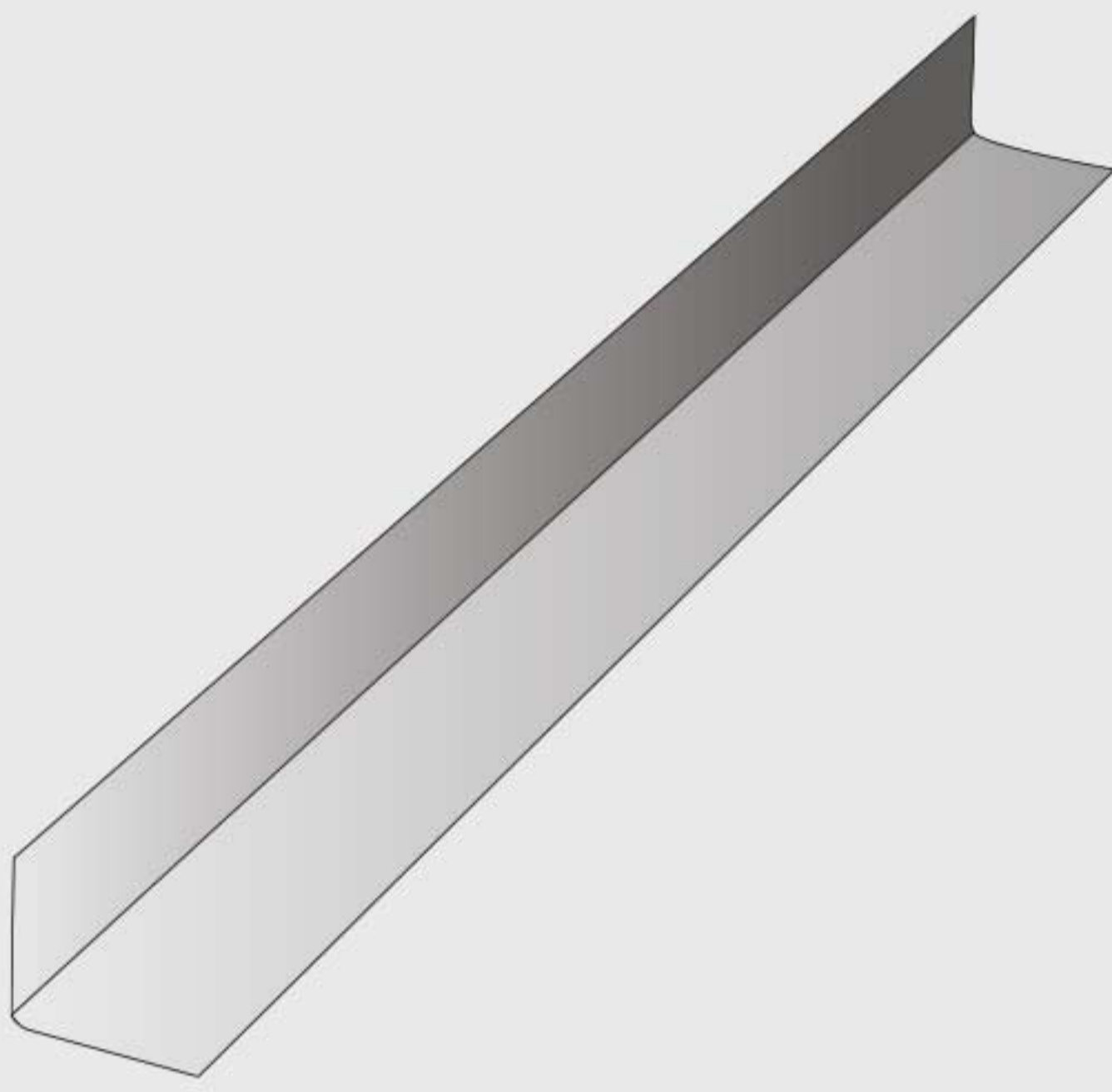
Galvanized lightweight steel sections to be used as main channels for conventional drywall ceiling systems.

Channel Type	Channel Web (a) (mm)	Channel thickness (b) (mm)	Channel Flange (c) (mm)	Channel Length <sup>(1)</sup> (mm)	Weight (kg/m)	Zinc Coating Class <sup>(2)</sup> (g/m <sup>2</sup> )
Knauf Main Channel	38	0.5	12	3000	0.227	Z100-140

(1): 3000mm is the standard retail sales length of the channels. For customized channel lengths please contact Knauf Egypt Sales Team

(2): Z140 is the standard retail zinc coating thickness sufficient for interior drywall applications. Higher zinc coated channel production also possible. For customized zinc coating requirements please contact Knauf Egypt Sales Team

# Knauf Angle Section



Galvanized lightweight steel sections to be used as perimeter framing for conventional drywall ceiling systems.

Stud Type	Channel Web (a)	Channel thickness (b)	Channel Flange (c)	Channel Length <sup>(1)</sup>	Weight (kg/m)	Zinc Coating <sup>(2)</sup>
Knauf Angle Section	25mm	0.5mm	25mm	3000mm	0.18kg/m	Z100-140gr/m <sup>2</sup>

(1): 3000mm is the standard retail sales length of the channels. For customized channel lengths please contact Knauf Egypt Sales Team

(2): Z140 is the standard retail zinc coating thickness sufficient for interior drywall applications. Higher zinc coated channel production also possible. For customized zinc coating requirements please contact Knauf Egypt Sales Team



We reserve the right to amend technical specifications without notice. The current edition applies. Our guarantee applies only to the defect-free state of our materials. The structural, static and physical characteristics of Knauf systems can only be ensured where only Knauf system components or products recommended by Knauf are used. Consumption, quantity and design specifications are typical figures, which may not be transferable under different circumstances. All rights reserved. Changes, reproductions and photo-mechanical and electronic repetition, even in part; require the specific permission of Knauf LLC,



Knauf  
Technical Assistance:

▶ Tel. (202) 23595544

▶ [info@knaufegypt.com](mailto:info@knaufegypt.com)

▶ [www.knauf.egypt.com](http://www.knauf.egypt.com)

Knauf Drywall Systems publishes updated technical information on various products and topics. In order to request any of the brochures listed below, please contact our office at the address given below.

**Knauf Drywall Systems Guide**

**Knauf Access Panels Brochure**

**Knauf Drywall Tools Brochure**

**Knauf Drywall Training Brochure**

**Knauf Cleano Acoustic Ceilings Brochure**

**D11 Knauf Ceilings Technical Datasheet**

**W11 Knauf Partitions Technical Datasheet**

**D12 Knauf Cleano Acoustic Ceilings Technical Datasheet**

**Knauf Access Panels Technical Brochure**

Knauf LLC

Tel. (202) 23595544

Email: [info@knaufegypt.com](mailto:info@knaufegypt.com)

[www.knaufegypt.com](http://www.knaufegypt.com)